

# PARTS CATALOG



# **G-MAX** 4-STROKE

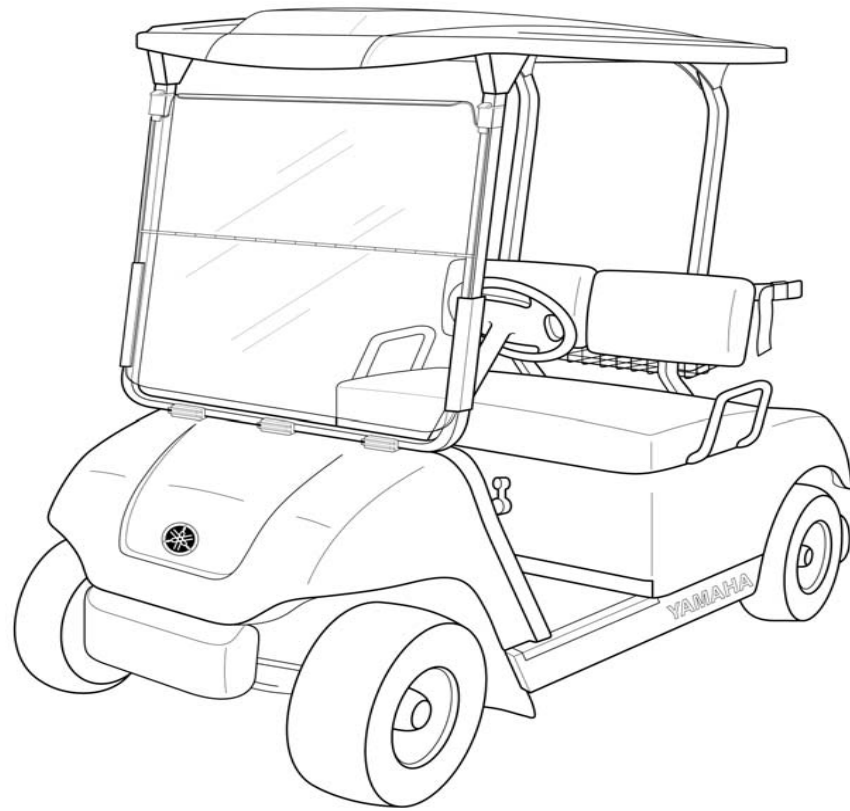
## **2003 G22AY**

(JU01) U.S.A., CANADA, EUROPE, OTHERS

---

DECEMBER 2002

1BJU0-100E2



# FOREWORD

This Parts Catalogue is related to the parts for the model(s) shown in the frame below. When you are ordering replacement parts, please refer to this Parts Catalogue and quote both part numbers and part names correctly.

G22A (JU01)

1. Modifications or additions which have been made after issue of the Parts Catalogue will be announced in the Yamaha Parts News. It is advisable that you make necessary corrections to the Parts Catalogue according to the Yamaha Parts News.

2. Abbreviations  
The following abbreviations are used in this Parts Catalogue.

- “UR” Use specified part number.
- “UN” Use as many as needed.
- “AP” Alternate parts.
- “LM” Local Made (Parts need to be ordered locally)
- “F#” Frame Number (Applicable machine number)

3. Parts, which are to be supplied in an assembly, are listed with a dot (.) in front of the part name as shown below.

EXAMPLE  
CARBURETOR ASSY  
.JET, PILOT  
.NOZZLE, MAIN

4. Number of component for assembly  
The numeral appearing to the right of each component part indicates the quantity of parts for each assembly unit.

EXAMPLE:

PART NO.	DESCRIPTION	Q'TY	REMARKS
JR6-14101-00-00	CARBURETOR ASSY.	1	
98507-5100-00	.SCREW, PAN HEAD	2	

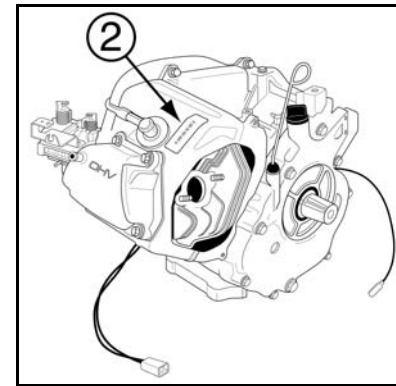
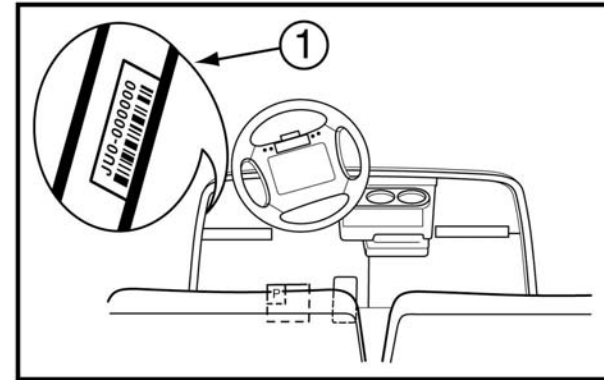
5. Applicable colors of body panels as well as other relevant information are represented in the “REMARKS” column as shown below.

EXAMPLE:

PART NO.	DESCRIPTION	Q'TY	REMARKS
JU0-K8115-00-00	COWL FRONT	1	Ivory color
JN6-F512M-C0-00	.HUB-CAP, CHROME	4	With clips

6. Applicable Serial No. and Color Code

- ① Vehicle (Frame) Serial No. JU0-000101 ~
- ② Engine Serial No. JU0-000101 ~



7. Note that the illustrations are to be used as a reference for finding part numbers, and not to be used for assembling. When dis-assembling and/or re-assembling, please use the applicable service manual.

8. The asterisk (\*) before a reference number indicates modification items after the first edition.



FIG. 1 ENGINE ASSEMBLY

REF NO.	PART NUMBER	DESCRIPTION	QTY	REMARKS
1	JR6-19001-00-00	ENGINE ASSEMBLY	1	

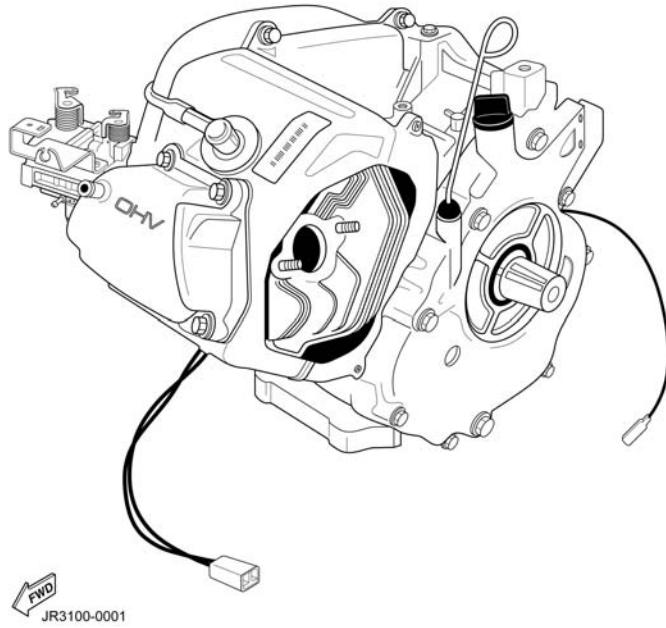
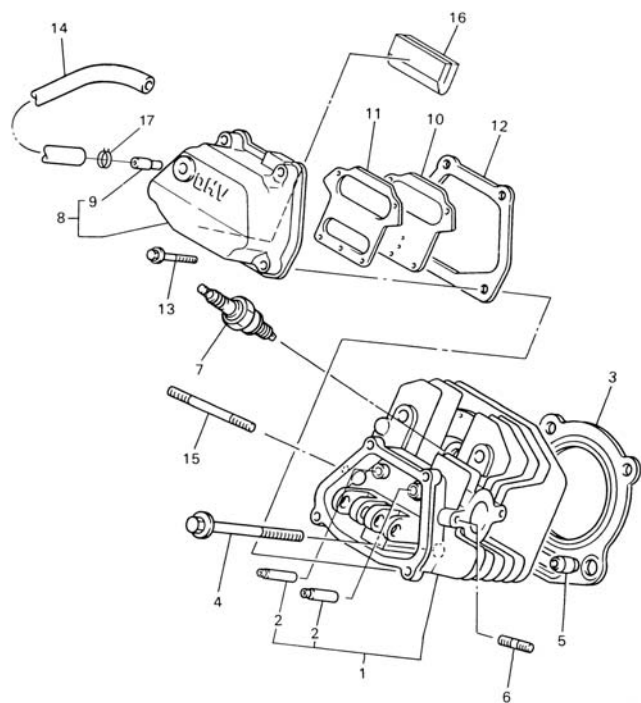


FIG. 2 CYLINDER HEAD



JT01010-0011

REF NO.	PART NUMBER	DESCRIPTION	QTY	REMARKS
1	JT0-11111-00-00	HEAD, CYLINDER 1	1	
2	JN6-11133-10-00	.GUIDE, INTAKE VALVE	2	
3	JT0-11181-00-00	GASKET, CYLINDER HEAD 1	1	
4	95817-10070-00	BOLT, FLANGE	4	
5	99530-14016-00	PIN, DOWEL A	2	
6	95617-08618-00	BOLT, STUD	2	
7	NGK-BPR2E-S0-00	PLUG, SPARK	1	STD, U.S.
	94702-00348-00	PLUG, SPARK	1	STD, EUROPE (BPR2ES)
	NGK-BPR4E-S0-00	PLUG, SPARK	1	AP, U.S.
	94702-00343-00	PLUG, SPARK	1	AP, EUROPE (BPR4ES)
8	JN6-11191-01-00	COVER, CYLINDER HEAD 1	1	
9	JN6-11116-00-00	.JOINT, BREATHER PIPE	1	
10	JN6-11168-00-00	COVER, BREATHER	1	
11	JN6-11169-00-00	GASKET, BREATHER COVER	1	
12	JN6-11193-00-00	GASKET, HEAD COVER 1	1	
13	95817-06030-00	BOLT, FLANGE	4	
14	JN6-E1166-00-00	PIPE, BREATHER 1	1	
15	95617-08710-00	BOLT, STUD	2	
16	JR7-11163-00-00	ELEMENT	1	
17	90467-13847-00	CLAMP	2	

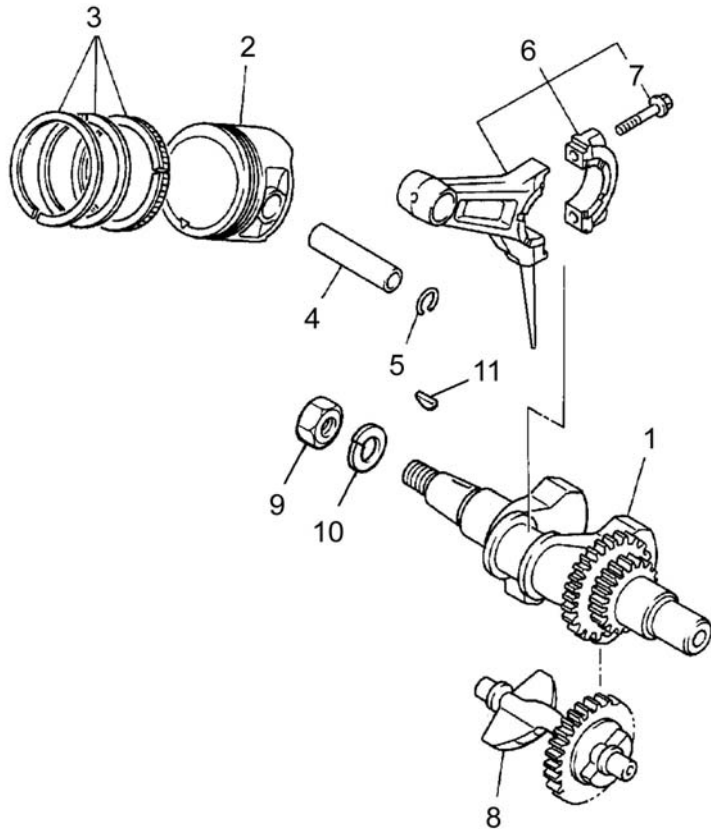


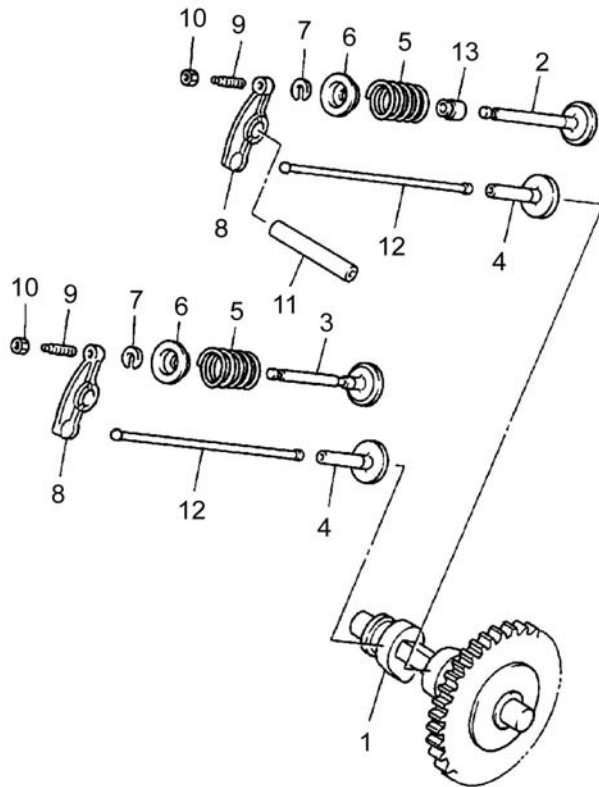
FIG. 3 CRANKSHAFT / PISTON

REF NO.	PART NUMBER	DESCRIPTION	QTY	REMARKS
1	JN6-11400-00-00	CRANK SHAFT ASSY.	1	
2	JR7-11631-00-A0	PISTON, (STD)	1	STD
	JR7-11635-00-00	PISTON, (0.25mm O/S)	1	AP
	JR7-11636-00-00	PISTON (0.50mm O/S)	1	AP
3	JR7-11610-00-00	PISTON RING SET, STD.	1	STD
	JR7-11610-10-00	PISTON RING SET, (0.25mm O/S)	1	AP
	JR7-11610-20-00	PISTON RING SET, (0.50mm O/S)	1	AP
4	538-11633-00-00	PIN, PISTON	1	
5	93450-21053-00	CIRCLIP	2	
6	JN6-11650-00-00	CONNECTING ROD ASSY	1	
7	JN6-11654-00-00	.BOLT, CONNECTING ROD	2	
8	JN6-11454-00-00	WEIGHT, 1	1	
9	95317-18600-00	NUT, HEX.	1	
10	90201-18620-00	WASHER, PLAIN	1	
11	90280-04052-00	KEY, WOODRUFF	1	



JN7010-6020

FIG. 4 CAMSHAFT / VALVE



REF NO.	PART NUMBER	DESCRIPTION	QTY	REMARKS
1	JR7-12170-00-00	CAMSHAFT ASSY. 1	1	
2	JN6-12111-01-00	VALVE, INTAKE	1	
3	7RH-12121-00-00	VALVE, EXHAUST	1	
4	JN6-12153-00-00	LIFTER, VALVE	2	
5	90501-264A9-00	SPRING, COMPRESSION	2	
6	J38-12117-01-00	RETAINER, VALVE SPRING	2	
7	J38-12118-00-00	COTTER, VALVE	2	
8	JN6-12151-00-00	ARM, VALVE ROCKER	2	
9	22F-12159-00-00	SCREW, VALVE ADJUSTING	2	
10	90170-05302-00	NUT, HEX.	2	
11	J38-12156-00-00	SHAFT, ROCKER 2	1	
12	JR7-12154-01-00	ROD, VALVE PUSH	2	
13	5H0-12119-00-00	SEAL, VALVE STEM	1	



JN7010-6030



FIG. 5 AIR SHROUD / FAN

REF NO.	PART NUMBER	DESCRIPTION	QTY	REMARKS
1	JN6-12621-00-00	CASE, FAN	1	
2	95817-06020-00	BOLT, FLANGE	5	
3	JN6-12616-00-00	COVER, FAN CASE	1	
4	97707-60520-00	SCREW, PAN HEAD	3	
5	JN6-12651-00-00	AIR SHROUD, CYLINDER 1	1	
6	JR7-12658-00-00	DAMPER AIR SHROUD 1	1	
7	JN6-12652-00-00	AIR SHROUD, CYLINDER 2	1	
8	95817-06020-00	BOLT, FLANGE	2	
9	JN6-E2691-00-00	DUCT, 1	1	
10	90269-08813-00	RIVET	2	

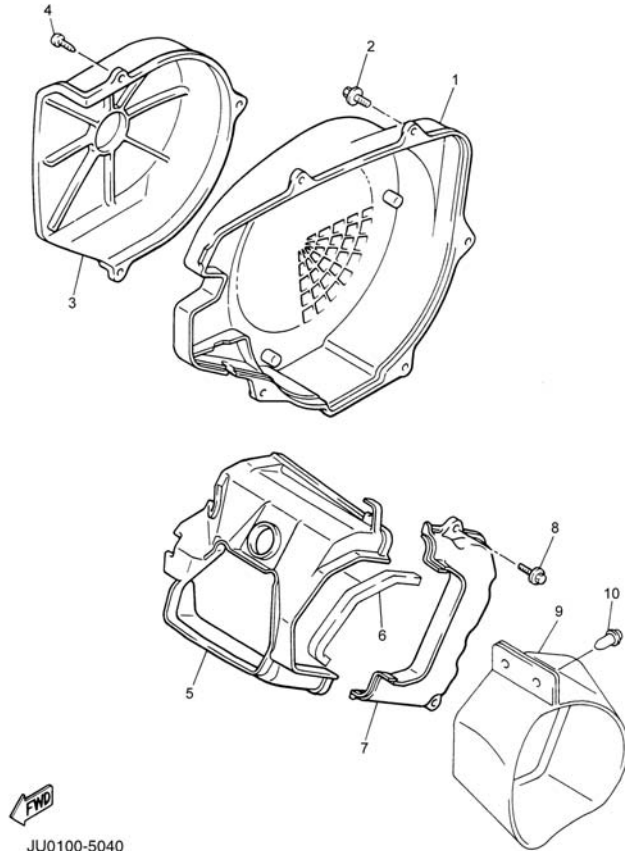
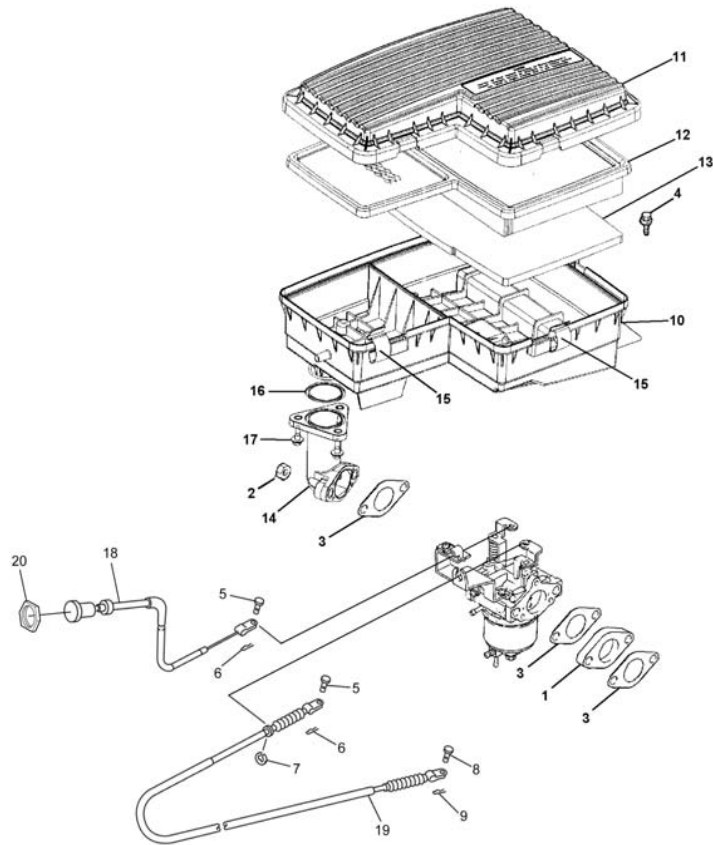


FIG. 6 INTAKE



  
JU0100-5050

REF NO.	PART NUMBER	DESCRIPTION	QTY	REMARKS
1	JN6-13595-00-00	JOINT	1	
2	90179-08491-00	NUT, FLANGE	2	
3	JN6-13567-00-00	GASKET	3	
4	90119-06838-00	BOLT, HEX HEAD W/WASHER	2	
5	91790-05010-00	PIN, CYL. HEAD W/HOLE	2	
6	90468-10050-00	CLIP	2	
7	99080-07600-00	CIRCLIP (E)	1	
8	91790-05010-00	PIN, CYL. HEAD W/HOLE	1	
9	90468-10050-00	CLIP	1	
10	JN6-E4411-02-00	CASE, AIR FILTER	1	
11	JN6-E4412-01-00	CAP, CASE 1	1	
12	JN6-E4450-01-00	ELEMENT ASSY.	1	
13	JN6-E445E-00-00	FILTER, 1	1	
14	JN6-E3586-01-00	JOINT, CARBURETOR	1	
15	JN6-E4424-00-00	CLIP, CAP FIT	5	
16	93210-398D6-00	O-RING	1	
17	90105-06862-00	BOLT, FLANGE	3	
18	JN6-F6312-01-00	WIRE, THROTTLE	1	
19	JN6-F6331-11-00	WIRE, STARTER	1	
20	JN6-F6333-10-00	NUT	1	

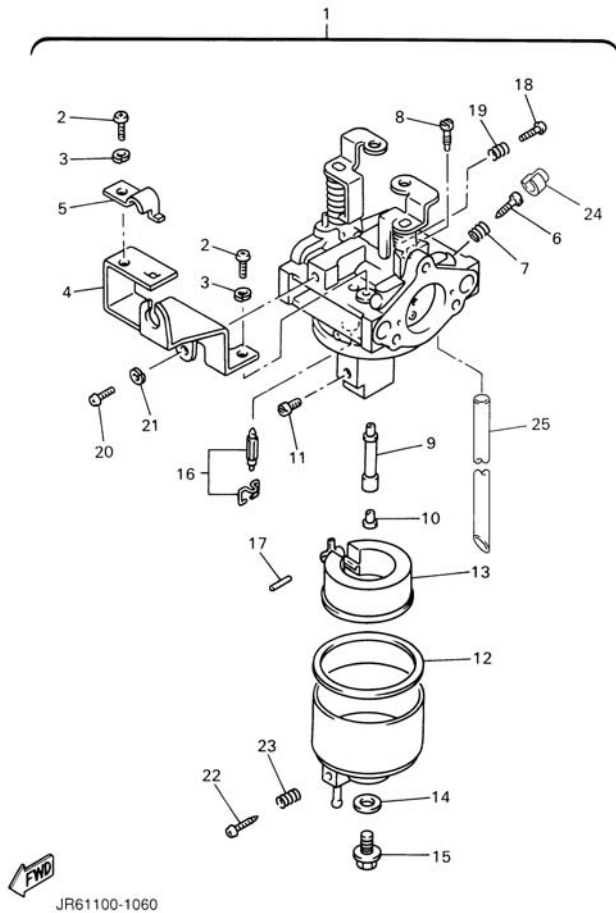
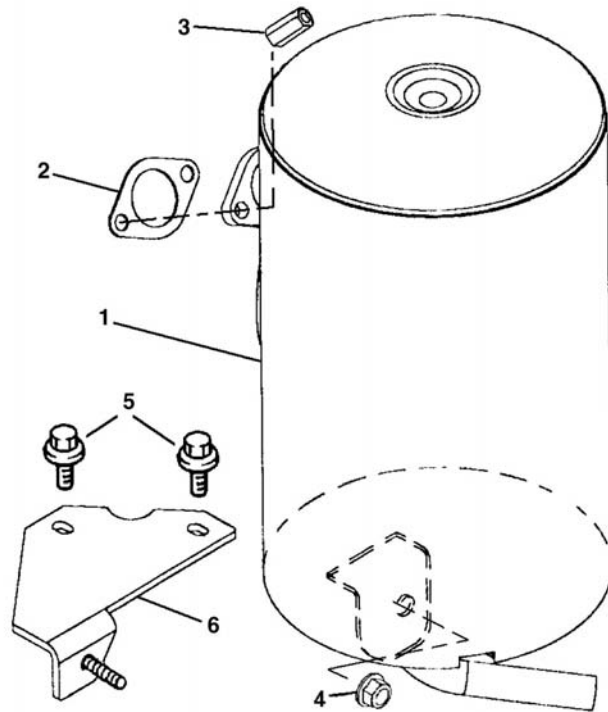


FIG. 7 CARBURETOR

REF NO.	PART NUMBER	DESCRIPTION	QTY	REMARKS
1	JR6-14101-00-00	CARBURETOR ASSY.	1	
2	98507-05100-00	.SCREW, PAN HEAD	2	
3	92990-05100-00	.WASHER	2	
4	JN6-14291-00-00	.BRACKET 1	1	
5	J10-14227-00-00	.WASHER	1	
6	7NJ-14211-00-00	.SCREW, PILOT ADJUSTING	1	
7	73A-14212-10-00	.SPRING, PILOT ADJUSTING	1	
8	732-14142-65-A0	.JET, PILOT	1	(#65.0)
9	JN6-1495H-3B-00	.NOZZLE, MAIN	1	
10	73A-1414G-00-00	.PIPE, MAIN BLEED	1	
11	3G2-1423A-68-A0	.JET, MAIN	1	(# 87.5)
12	796-14184-00-00	.GASKET, FLOAT CHAMBER	1	
13	JN6-14185-00-00	.FLOAT	1	
14	127-14198-00-00	.GASKET	1	
15	7R1-14162-00-00	.BOLT, HOLDING	1	
16	JN5-14150-00-00	.NEEDLE ASSY	1	
17	22F-14186-00-00	.PIN, FLOAT	1	
18	1WG-14922-00-00	.SCREW, THROTTLE	1	
19	73A-14212-10-00	.SPRING, PILOT ADJUSTING	1	
20	98507-04010-00	.SCREW, PAN HEAD	1	
21	92903-04100-00	.WASHER	1	
22	7E1-14191-00-00	.PLUG, DRAIN	1	
23	73A-14212-00-00	.SPRING, PILOT ADJUSTING	1	
24	7LV-14118-00-00	.CAP	1	
25	1KT-14197-01-00	.PIPE	1	

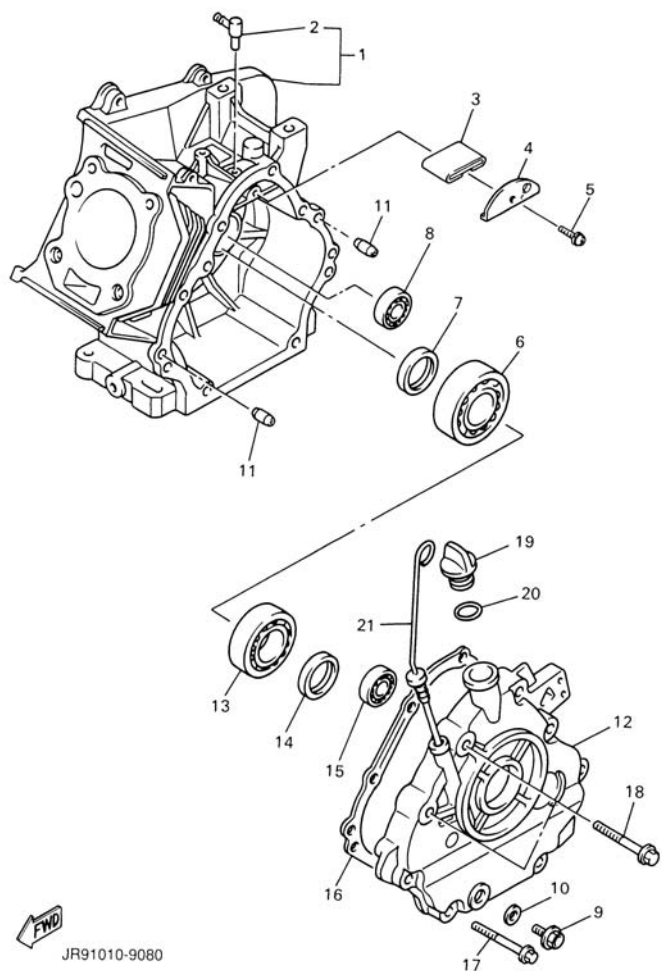
FIG. 8 EXHAUST



REF NO.	PART NUMBER	DESCRIPTION	QTY	REMARKS
1	JU0-E4710-10-00	MUFFLER ASSEMBLY 1	1	
2	7KY-14613-01-00	GASKET, EXHAUST 1	1	
3	90179-08879-00	NUT	2	
4	90185-08841-00	NUT, SELF LOCKING	1	
5	90119-08825-00	BOLT, HEX HEAD W/WASHER	2	
6	JN6-F1435-10-00	BRACKET, MUFFLER	1	

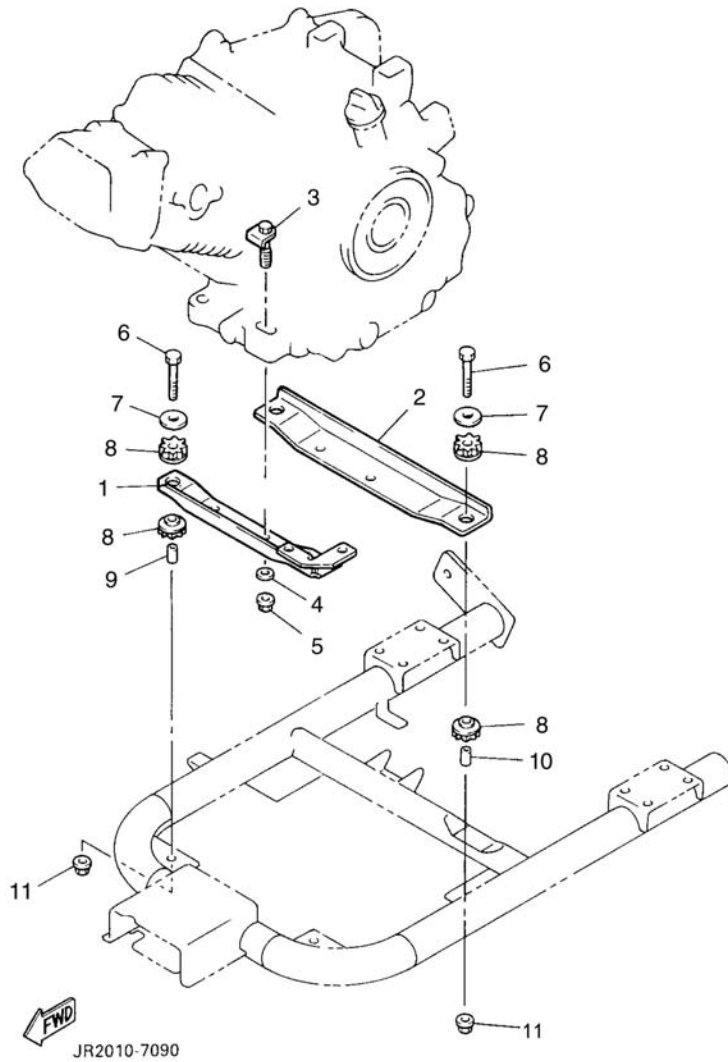
 JN6100-6021

FIG. 9 CRANKCASE



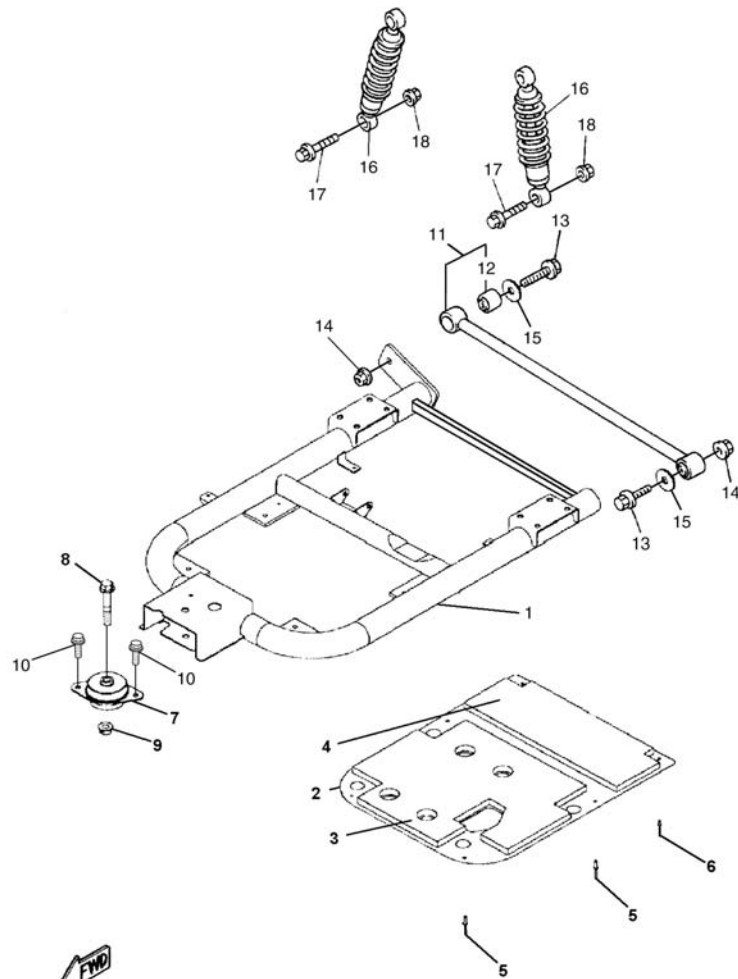
REF NO.	PART NUMBER	DESCRIPTION	QTY	REMARKS
1	JR7-15100-00-00	CRANKCASE ASSY	1	
2	JN6-15155-00-00	.NOZZLE, 3	1	
3	JR7-15407-00-00	ELEMENT 1	1	
4	JR7-15123-00-00	PLATE, BAFFLE 1	1	
5	90159-06107-00	SCREW, W/WASHER	1	
6	93306-30709-00	BEARING	1	
7	93102-35191-00	SEAL, OIL	1	
8	93306-20211-00	BEARING	1	
9	90340-12097-00	PLUG, STRAIGHT SCREW	1	
10	812-11198-00-00	GASKET	1	
11	91808-16023-00	PIN, DOWEL	2	
12	JN6-15411-00-00	COVER, CRANKCASE 1	1	
13	93306-20716-00	BEARING	1	
14	93102-35191-00	SEAL, OIL	1	
15	93306-20211-00	BEARING	1	
16	JN6-15451-02-00	GASKET, CRANKCASE COVER	1	
17	95817-08045-00	BOLT, FLANGE	6	
18	95817-10050-00	BOLT, FLANGE	2	
19	7EN-51118-00-00	PLUG, OIL	1	
20	93210-22344-00	O-RING	1	
21	J38-15361-00-00	GAUGE, LEVEL	1	

FIG. 10 ENGINE MOUNT



RE	PART NUMBER	DESCRIPTION	QTY	REMARKS
1	JN6-F1411-00-00	BRACKET, ENGINE 1	1	
2	JN6-F1419-02-00	BRACKET, ENGINE 2	1	
3	JN6-F1481-00-00	BOLT, ENGINE	4	
4	92907-10200-00	WASHER, PLAIN	4	
5	95607-10200-00	NUT, U-FLANGE	4	
6	90101-08870-00	BOLT, HEX	4	
7	90201-088K6-00	WASHER, PLAIN	4	
8	JN6-F1486-00-00	DAMPER, 2	8	
9	JN6-F1459-00-00	SPACER	2	
10	JN6-F1459-10-00	SPACER	2	
11	90185-08169-00	NUT, U-FLANGE	4	

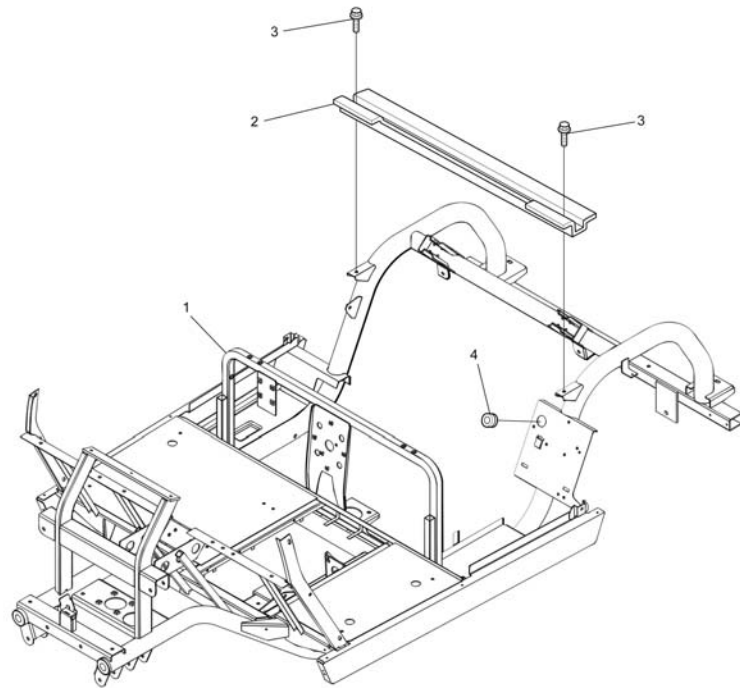
FIG. 11 REAR ARM / SUSPENSION



JU0100-5100

REF NO.	PART NUMBER	DESCRIPTION	QTY	REMARKS
1	JU0-F2110-00-00	REAR ARM COMP.	1	
2	JN6-F2128-01-00	COVER, 1	1	
3	JN6-F211E-01-00	PANEL, INNER 1	1	
4	JN6-F211G-01-00	PANEL, INNER 2	1	
5	90267-48850-00	RIVET, BLIND	4	
6	90267-40851-00	RIVET, BLIND	2	
7	JN6-F2123-01-00	BUSHING, 1	1	
8	90105-13864-00	BOLT, FLANGE	1	
9	90179-13878-00	NUT	1	
10	9751P-10620-00	BOLT, HEX. W/WASHER	2	
11	JN6-F217G-00-00	ROD, CONNECTING	1	
12	JN6-F2124-00-00	.BUSHING, 2	2	
13	95817-12065-00	BOLT, FLANGE	2	
14	95617-12200-00	NUT, U-FLANGE	2	
15	90201-12426-00	WASHER, PLAIN	2	
16	JN4-F2210-00-00	SHOCK ABSORBER	2	
17	95817-10055-00	BOLT, FLANGE	4	
18	95607-10200-00	NUT, U-FLANGE	4	

FIG. 12 FRAME



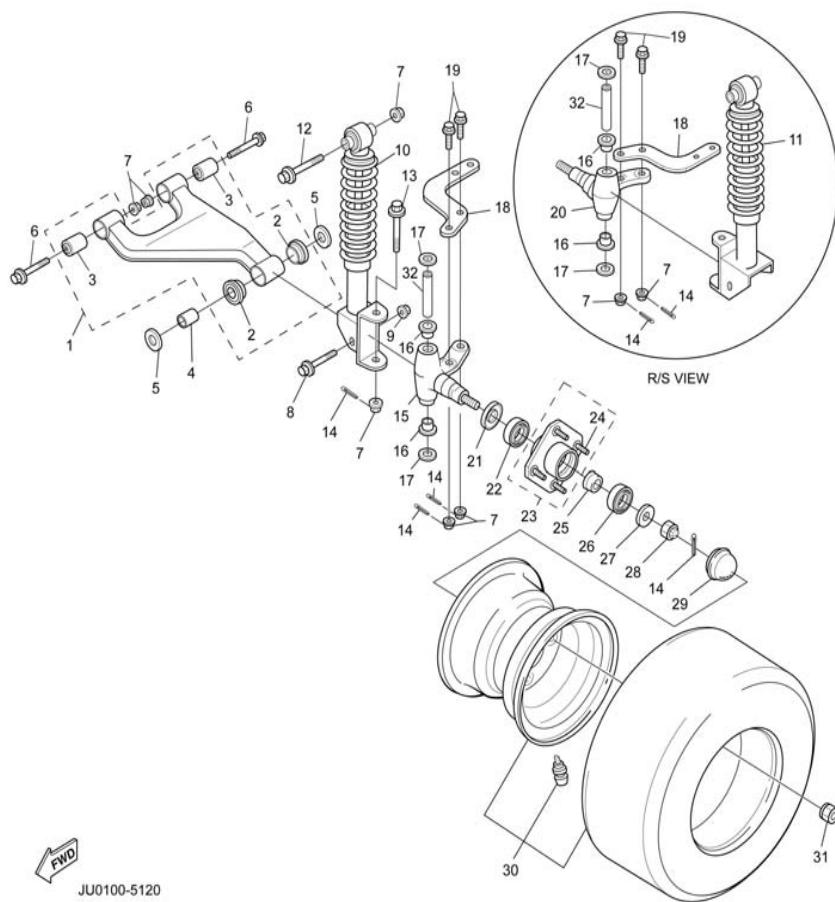
REF NO.	PART NUMBER	DESCRIPTION	QTY	REMARKS
1	JU0-F2501-00-00	FRAME COMP.	1	
2	JU0-F254R-00-00	SUPPORT, BODY MOUNTING	1	
3	95817-08016-00	BOLT, FLANGE	2	
4	90480-25856-00	GROMMET	1	



JU0100-5110



FIG. 13 FRONT SUSPENSION / WHEEL



JU0100-5120

REF NO.	PART NUMBER	DESCRIPTION	QTY	REMARKS
1	JU0-F3570-20-00	FRONT LOWER ARM COMP.	2	FITS LS AND RS
2	90381-18001-00	.BUSHING SOLID	4	FITS LS AND RS
3	2HR-23526-00-00	.BUSH 1	4	FITS LS AND RS
4	90387-12016-00	COLLAR	2	
5	401-22128-01-00	COVER, 1	4	
6	90105-10890-00	BOLT, FLANGE	4	
7	95607-10200-00	NUT, U-FLANGE	12	
8	95817-12080-00	BOLT, FLANGE	2	
9	9561P-12100-00	NUT, U-FLANGE	2	
10	JU0-F3350-10-00	CUSHION ASSY.	1	
11	JU0-F3390-10-00	CUSHION ASSY. 2	1	
12	95807-10065-00	BOLT, FLANGE	2	
13	90105-10064-00	BOLT, FLANGE	2	
14	91401-25020-00	PIN, SPLIT	8	
15	JU0-F3511-00-00	KNUCKLE, STEERING LH	1	
16	90381-17067-00	BUSH, SOLID	4	
17	2NL-23517-00-00	COVER, THRUST 1	4	
18	JU0-F3512-00-00	ARM, KNUCKLE	2	
19	90105-10728-00	BOLT, FLANGE	4	
20	JU0-F3521-00-00	KNUCKLE, STEERING RH	1	
21	93102-30083-00	SEAL, OIL	2	
22	93306-204X0-00	BEARING	2	
23	JG5-WF511-00-00	HUB	2	
24	90114-12800-00	BOLT, KNURLED	8	
25	90387-241M7-00	COLLAR	2	
26	93306-005Y3-00	BEARING	2	
27	90209-32832-00	WASHER	2	

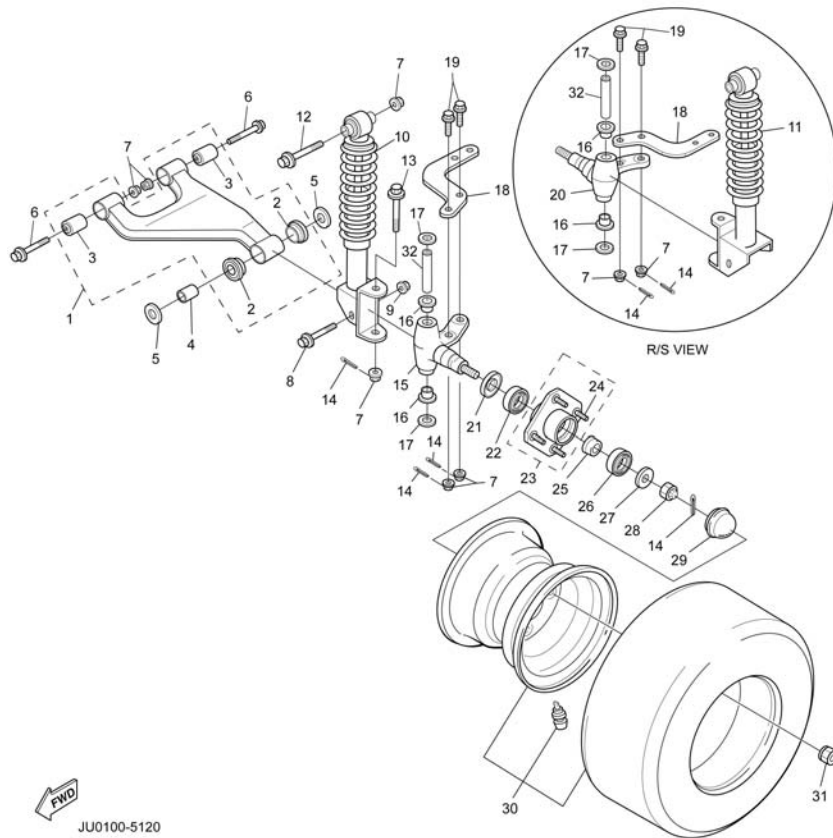
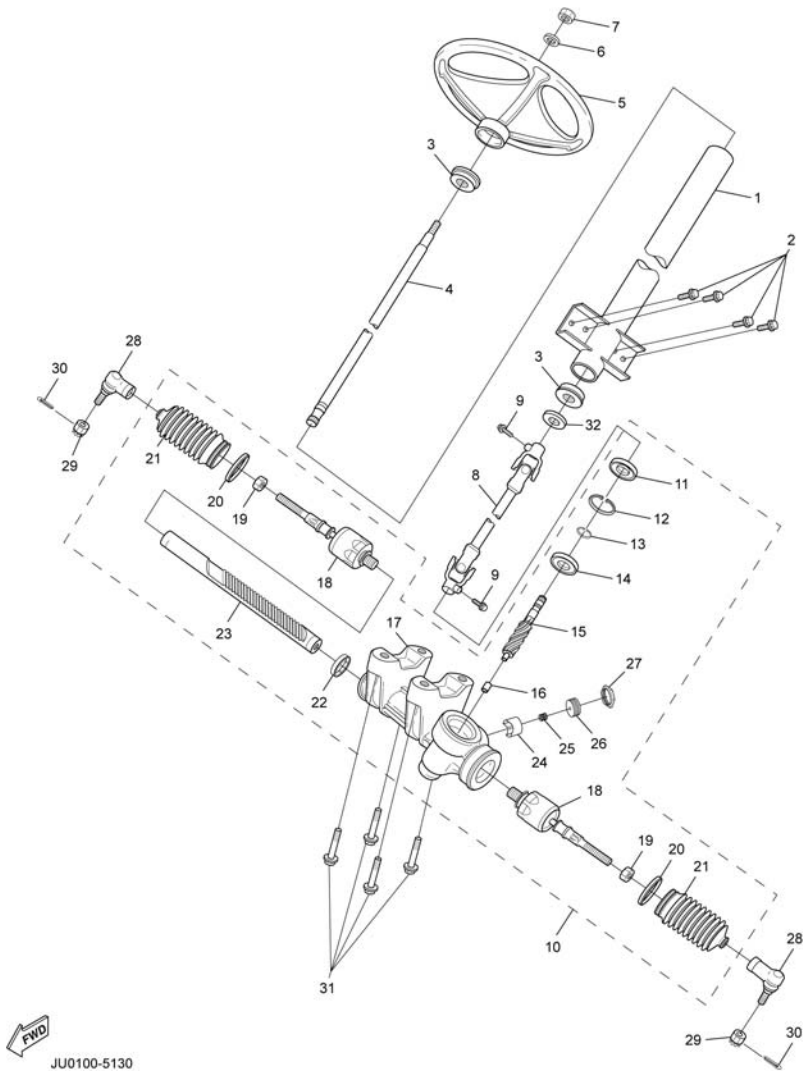


FIG. 13 FRONT SUSPENSION / WHEEL

REF NO.	PART NUMBER	DESCRIPTION	QTY	REMARKS
28	95607-14100-00	NUT,U FLANGE	2	
29	JN6-F5118-00-00	COVER, HUB DUST	2	
30	JN6-F5100-00-00	WHEEL ASSY.	2	
31	90179-12262-00	NUT	8	
32	2NL-23448-00-00	SPACER	2	

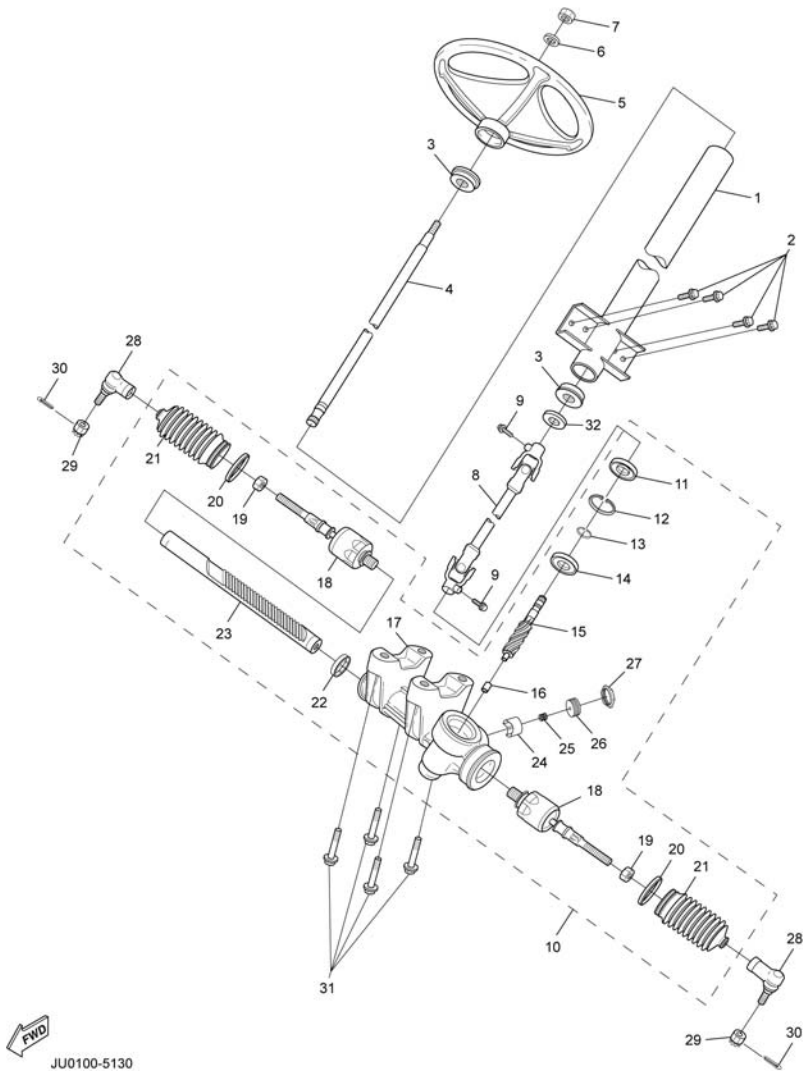
FIG. 14 STEERING



REF NO.	PART NUMBER	DESCRIPTION	QTY	REMARKS
1	JU0-F3811-00-00	COLUMN, STEERING	1	
2	9581P-08016-00	BOLT,FLG. (7-FQA)	4	
3	JN3-F3814-00-00	HOLDER,HANDLE UPPER	2	
4	JU0-F3828-00-00	ROD,STRG.	1	
5	JN3-F3838-00-00	WHEEL,STRG.	1	
6	9290P-12200-00	WASHER PLAIN (7-FQA)	1	
7	90185-12061-00	NUT,SELF-LOCKING	1	
8	JU0-F3822-00-00	JT.,1	1	
9	97517-08530-00	BOLT,HEX. HEAD W/WASHER	2	
10	JU0-F3400-00-00	STEERING ASSEMBLY	1	
11	JU0-F3844-00-00	.SEAL	1	
12	JU0-F387J-00-00	.RING	1	
13	JU0-F3183-00-00	.CIRCLIP	1	
14	JU0-F339Y-00-00	.BEARING	1	
15	JU0-F387A-00-00	.GEAR PINION	1	
16	JU0-F582M-00-00	.BEARING	1	
17	JU0-F2966-00-00	.HOUSING MAIN 1	1	
18	JU0-F3837-00-00	.ROD, TIE	2	
19	JU0-F3833-00-00	.NUT, 1	2	
20	JU0-F1338-00-00	.CLAMP	2	
21	JU0-F3848-00-00	.BOOT	2	
22	JU0-F5418-00-00	.BRG., INSERT 1	1	
23	JU0-F387E-00-00	.GEAR, RACK	1	
24	JU0-F387F-00-00	.PAD, PRESSURE	1	
25	JU0-F387K-00-00	.SPRING, PRESSURE	1	
26	JU0-F387G-00-00	.COVER, ADJUST	1	
27	JU0-F3834-00-00	.NUT, 2	1	

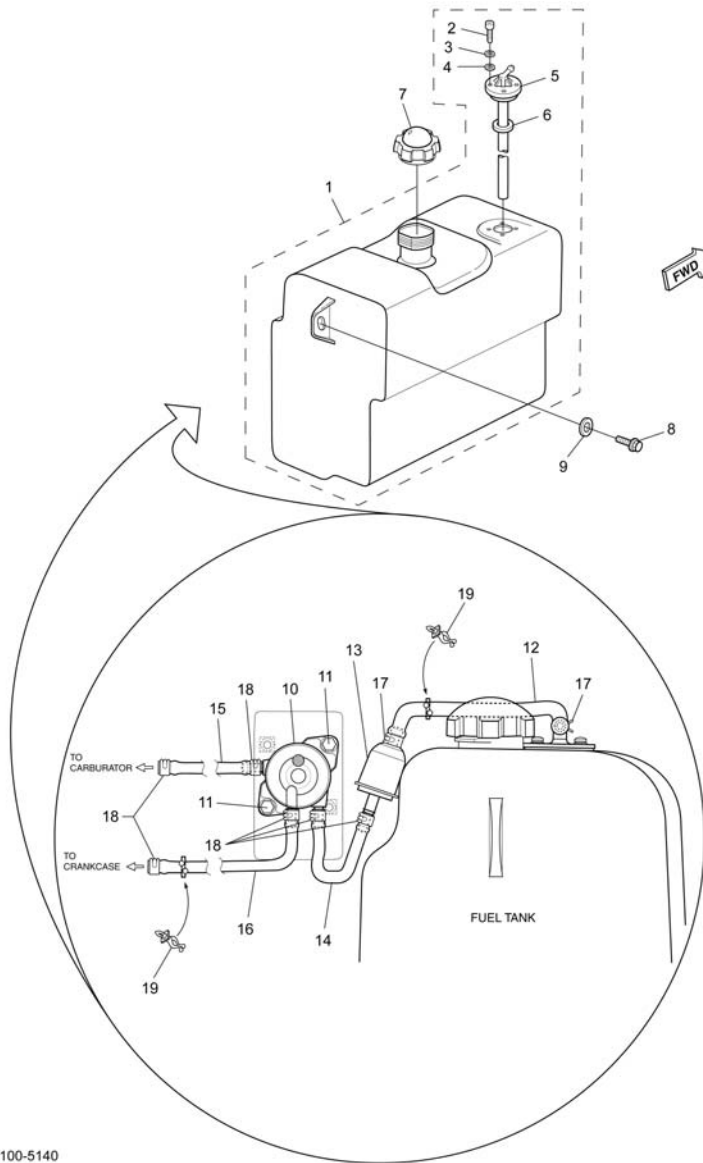
FIG. 14 STEERING

REF NO.	PART NUMBER	DESCRIPTION	QTY	REMARKS
28	JU0-F3841-00-00	JT., UNIVERSAL	2	
29	95607-12200-00	NUT, U FLANGE	2	
30	91401-25020-00	PIN, SPLIT	2	
31	90105-10810-00	BOLT, FLG.	4	
32	5FU-F5384-00-00	WASHER	1	



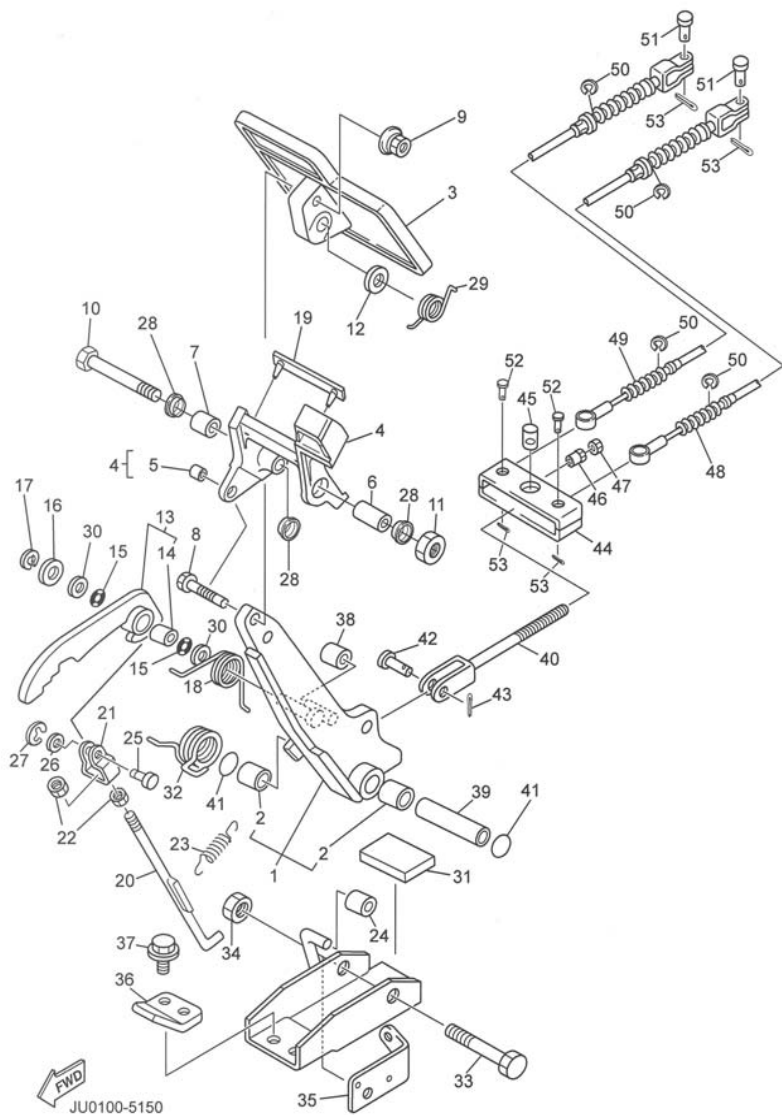
JU0100-5130

FIG. 15 FUEL TANK



REF NO.	PART NUMBER	DESCRIPTION	QTY	REMARKS
1	JN6-F4110-01-00	FUEL TANK COMP	1	
2	98507-05014-00	.SCREW, PAN HEAD	4	
3	92907-05100-00	.WASHER, LOCK	4	
4	92907-05600-00	.WASHER, PLAIN	4	
5	JN3-F4300-02-00	.FUEL PIPE JOINT	1	
6	93210-228C4-00	.O-RING	1	
7	JN6-F4610-00-00	CAP ASSY.	1	
8	90105-08878-00	BOLT, FLANGE	2	
9	90560-08251-00	SPACER	2	
10	JN6-F4410-10-00	FUEL PUMP ASSY	1	
11	JN6-F3394-00-00	BOLT, SPECIAL	2	
12	JN6-F4312-00-00	PIPE, 2	1	
13	JN6-F4560-00-00	FILTER ASSY.	1	
14	JN6-F4311-10-00	PIPE, FUEL	1	
15	JN6-F4313-10-00	PIPE, 3	1	
16	JN6-F4314-10-00	PIPE, 4	1	
17	90467-12845-00	CLIP	2	RED
18	90467-10846-00	CLIP	6	GREEN
19	90464-11816-00	CLAMP	2	

FIG. 16 BRAKE



REF NO.	PART NUMBER	DESCRIPTION	QTY	REMARKS
1	J46-27250-03-00	BRAKE ARM COMP	1	
2	90384-14080-00	.BUSH, BIMETAL FORMED	2	
3	JU0-27211-01-00	PEDAL, BRAKE	1	
4	JU0-25671-00-00	PEDAL, PARKING BRAKE	1	
5	90384-05163-00	.BUSH, BIMETAL	1	
6	90387-08014-00	COLLAR	1	
7	90387-08013-00	COLLAR	1	
8	97017-06035-00	BOLT, HEX.	1	
9	90179-06387-00	NUT	1	
10	97027-08100-00	BOLT, HEX.	1	
11	95337-08600-00	NUT, HEX.	1	
12	92907-08200-00	WASHER, PLAIN	1	
13	J17-25666-02-00	SECTOR, PARKING BRAKE	1	
14	90384-10162-00	.BUSH, BIMETAL	1	
15	J17-27221-00-00	SEAL, SHAFT	2	
16	92907-10600-00	WASHER, PLAIN	1	
17	99080-07600-00	CIRCLIP (E)	1	
18	90508-14548-00	SPRING, TORSION	1	
19	J17-25672-01-00	PAD, PARKING	1	
20	J17-27231-03-00	ROD, BRAKE	1	
21	J17-27232-00-00	END, ROD 1	1	
22	95317-06700-00	NUT, HEX.	2	
23	90506-08526-00	SPRING, TENSION	1	
24	J17-25673-00-00	DAMPER, BRAKE	1	
25	J17-27228-00-00	PIN, LINK JOINT	1	
26	92907-05600-00	WASHER, PLAIN	1	
27	99080-04600-00	CIRCLIP (E)	1	

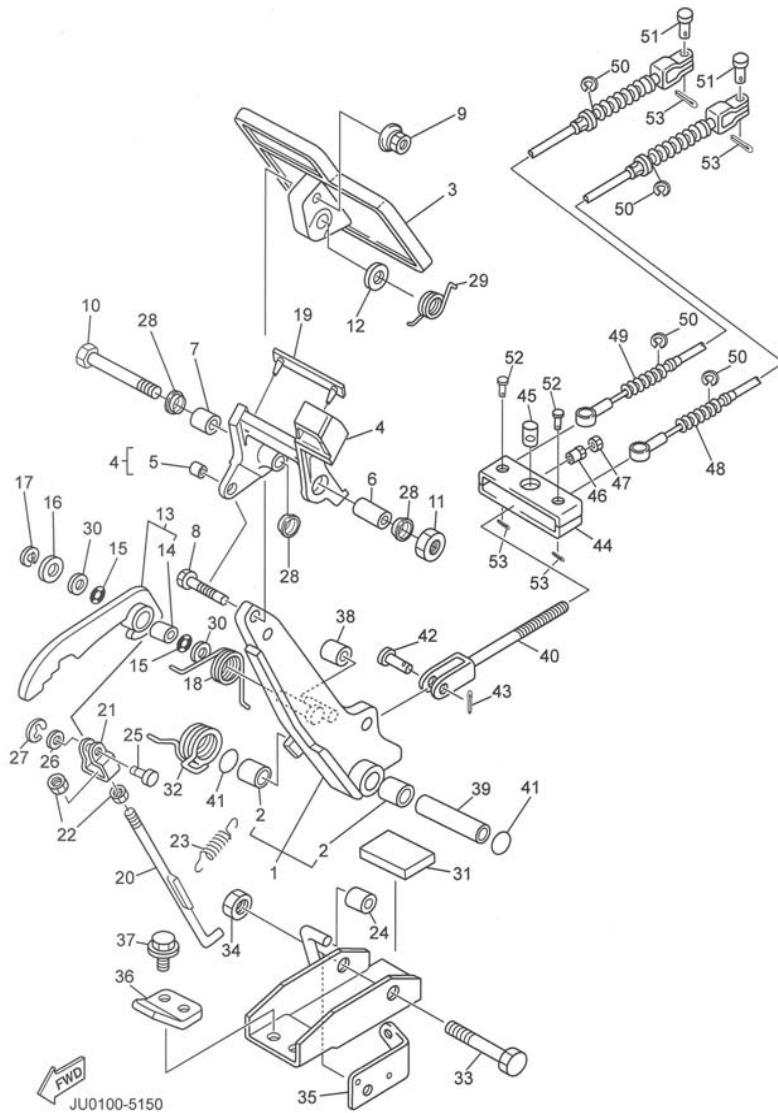
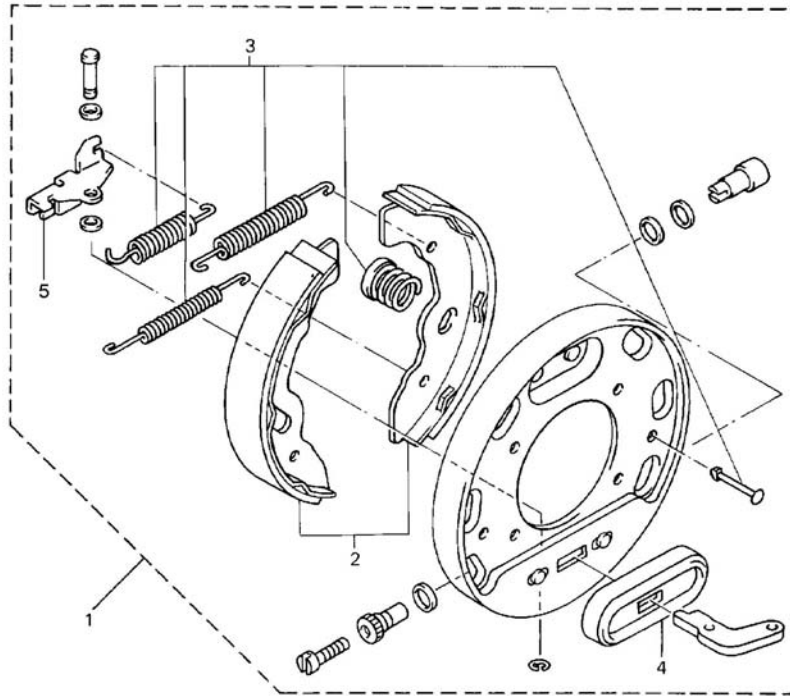


FIG. 16 BRAKE

REF NO.	PART NUMBER	DESCRIPTION	QTY	REMARKS
28	90387-12009-00	BUSH	3	
29	90508-32015-00	SPRING, TORSION	1	
30	92907-08200-00	PLATE	2	
31	JN3-F7245-00-00	PAD, BRAKE PEDAL	1	
32	90508-40007-00	SPRING, TORSION	1	
33	90101-10884-00	BOLT, HEX.	1	
34	95607-10200-00	NUT, U-FLANGE	1	
35	J55-2252M-00-00	BRACKET, 3	1	
36	J17-27246-00-00	NAIL, BRAKE	1	
37	90105-08878-00	BOLT, FLANGE	2	
38	J17-25673-00-00	DAMPER, BRAKE	1	
39	90387-107F8-00	COLLAR	1	
40	JN6-F5685-00-00	ROD	1	
41	93210-14104-00	O-RING	2	
42	91701-10022-00	PIN	1	
43	91490-30020-00	PIN, SPLIT	1	
44	JN6-F5681-00-00	EQUALIZER, BRAKE	1	
45	90249-14129-00	PIN	1	
46	90179-08894-00	NUT	1	
47	95317-08700-00	NUT, HEX.	1	
48	JU0-F6341-00-00	WIRE, BRAKE 1	1	
49	JU0-F6351-00-00	WIRE, BRAKE 2	1	
50	99001-09600-00	CIRCLIP (E)	4	
51	91701-08018-00	PIN	2	
52	91701-08026-00	PIN	2	
53	91490-25020-00	PIN, SPLIT	4	

FIG. 17 BRAKE 2



REF NO.	PART NUMBER	DESCRIPTION	QTY	REMARKS
1	JN6-F7280-03-00	BACKING PLATE, (RH)	1	(FOR RIGHT WHEEL ONLY)
2	JN6-F5331-01-00	.SHOE, BRAKE SET	1	(FOR ONE WHEEL)
3	JG5-F819G-00-00	.REPAIR PARTS KIT	1	
4	JG5-F7286-00-00	.COVER, DUST	1	
5	JN6-F722F-00-00	LEVER ADJUSTER, (RH)	1	


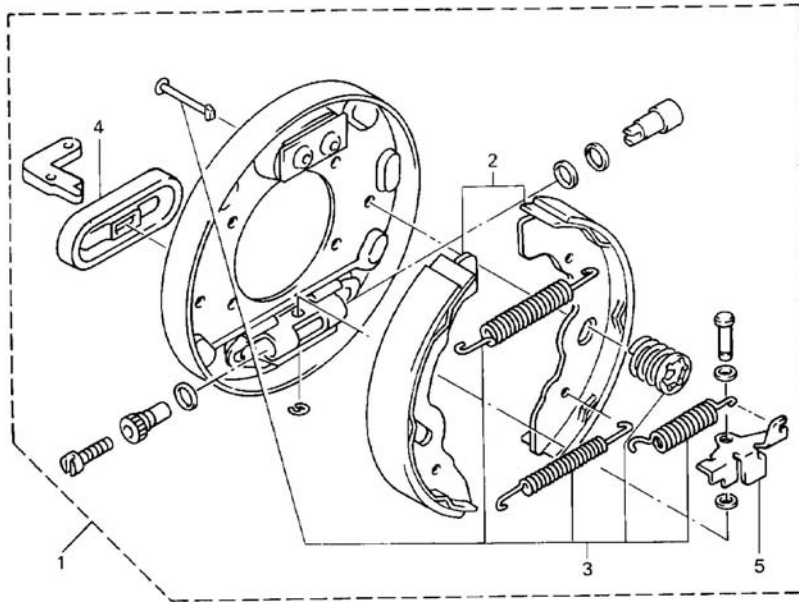

 JN4100-5061



FIG. 18 BRAKE 3



REF NO.	PART NUMBER	DESCRIPTION	QTY	REMARKS
1	JN6-F7290-03-00	BACKING PLATE, (LH)	1	(FOR LEFT WHEEL ONLY)
2	JN6-F5331-01-00	.SHOE, BRAKE SET	1	(FOR ONE WHEEL)
3	JG5-F819G-00-00	.REPAIR PARTS KIT	1	
4	JG5-F7286-00-00	.COVER, DUST	1	
5	JN6-F722E-00-00	LEVER ADJUSTER, (LH)	1	

 JN4100-5071

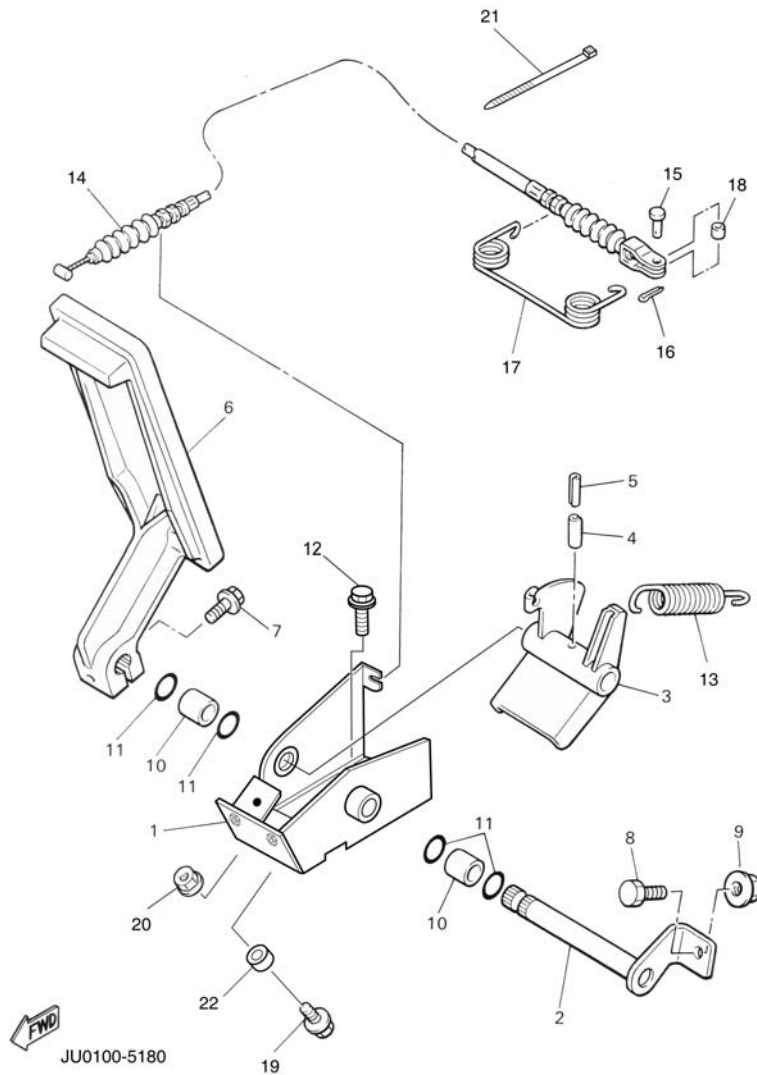


FIG. 19 ACCELERATOR

REF NO.	PART NUMBER	DESCRIPTION	QTY	REMARKS
1	JN6-F7874-01-00	BRKT., PEDAL ACCELERATOR	1	
2	J17-27853-01-00	SHAFT, PEDAL1	1	
3	J38-27872-00-00	ARM, ACCELERATOR PEDAL	1	
4	91609-60028-00	PIN, SPRING	1	
5	91609-35028-00	PIN, SPRING	1	
6	JF3-27871-00-00	PEDAL, ACCELERATOR	1	
7	95817-06025-00	BOLT, FLANGE	1	
8	90106-08040-00	BOLT, RD. HEX	1	
9	90179-08491-00	NUT, FLANGE	1	
10	90384-14080-00	BUSH, BIMETAL FORMED	2	
11	93210-14104-00	O-RING	4	
12	90105-08878-00	BOLT, HEX. H	3	
13	90506-26282-00	SPRING, TENSION	1	
14	JN3-F6311-00-00	WIRE, THROTTLE	1	
15	91790-05012-00	PIN, CLEVIS	1	
16	90468-10050-00	CLIP	1	
17	90508-16460-00	SPRING, TORSION	1	
18	90560-05001-00	SPACER	1	
19	95817-06025-00	BOLT, FLANGE	1	
20	95707-06500-00	NUT, FLANGE	1	
21	90464-40825-00	CLAMP	1	
22	90387-068T4-00	COLLAR	1	

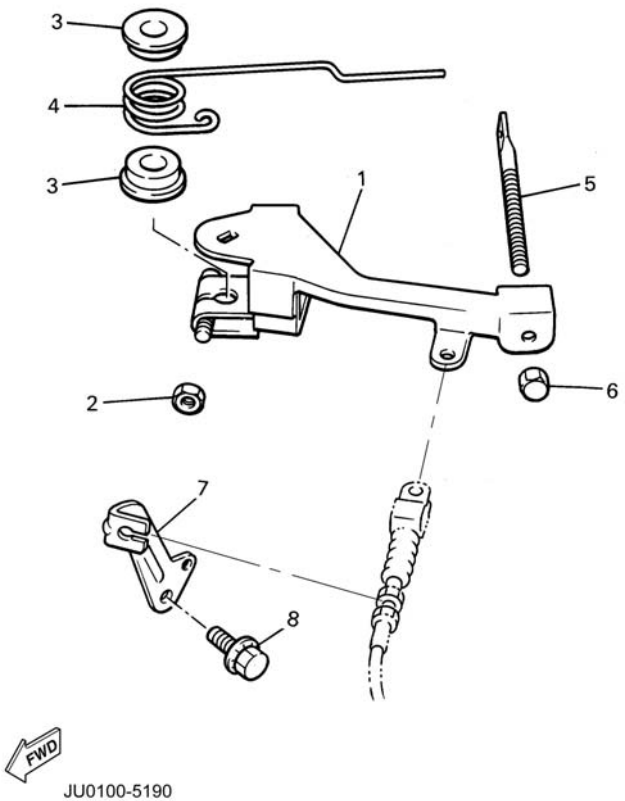


FIG. 20 GOVERNOR

REF NO.	PART NUMBER	DESCRIPTION	QTY	REMARKS
1	J38-27951-00-00	LEVER, SPEED LIMITER	1	
2	95317-06600-00	NUT, HEX.	1	
3	90386-08141-00	BUSH	2	
4	90508-40678-00	SPRING, TORSION	1	
5	J38-27959-00-00	SCREW, ADJUSTING	1	
6	95607-06200-00	NUT, U-FLANGE	1	
7	JN3-G6555-00-00	BRACKET 2	1	
8	90105-08859-00	BOLT, FLANGE	1	

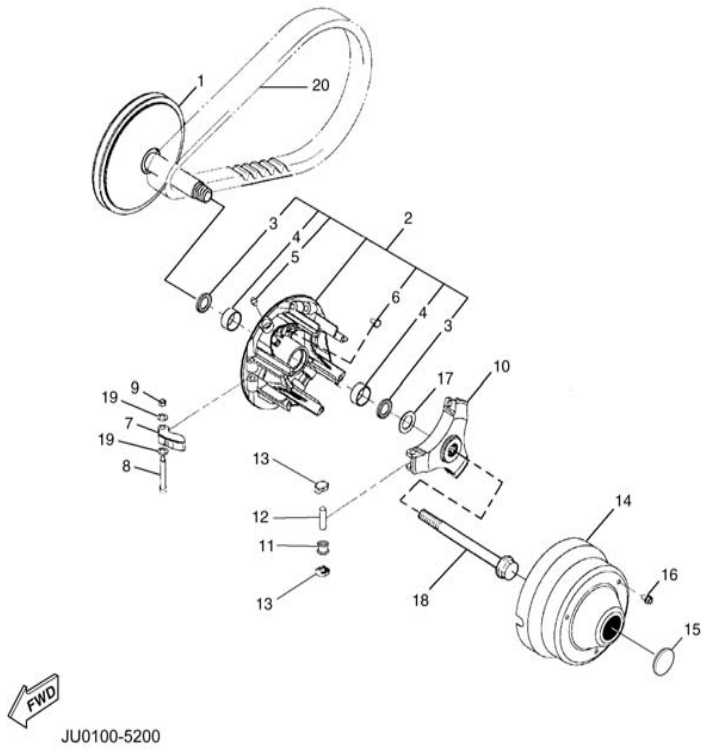


FIG. 21 PRIMARY CLUTCH

REF NO.	PART NUMBER	DESCRIPTION	QTY	REMARKS
	JN6-G6201-03-00	PRIMARY CLUTCH ASSEMBLY	1	SEE NOTE "A"
1	JN6-G6210-00-00	PRIMARY FIXED SHEAVE	1	
2	JN6-G6220-00-00	PRIMARY SLIDING SHEAVE	1	
3	93101-28831-00	.SEAL, OIL	2	
4	90384-27823-00	.BUSH, BIMETAL FORMED	2	
5	93700-06810-00	.NIPPLE, GREASE	1	
6	90338-04840-00	.PLUG	3	
7	JN6-G6232-00-00	WEIGHT, 1	3	
8	90109-06860-00	BOLT	3	
9	90185-06834-00	NUT, SELF-LOCKING	3	
10	JN6-G6251-00-00	SPIDER	1	
11	JN6-G6258-01-00	COLLAR, ROLLER	3	
12	93610-358A3-00	PIN, DOWEL	3	
13	JN6-G6253-00-00	SLIDER	6	
14	JU0-G6231-00-00	CAP	1	
15	JU0-G6297-00-00	COVER, DUST	1	
16	90105-06861-00	BOLT, FLANGE	3	
17	90201-228K5-00	WASHER, PLAIN	1	
18	JN6-G6249-00-00	BOLT	1	
19	JN6-G621F-00-00	SHIM, THRUST	6	
20	J55-G6241-00-00	BELT	1	

NOTE "A": Assembly includes all parts except REF. Numbers 18 and 20 (the main bolt for the Primary Clutch assembly, and the belt).

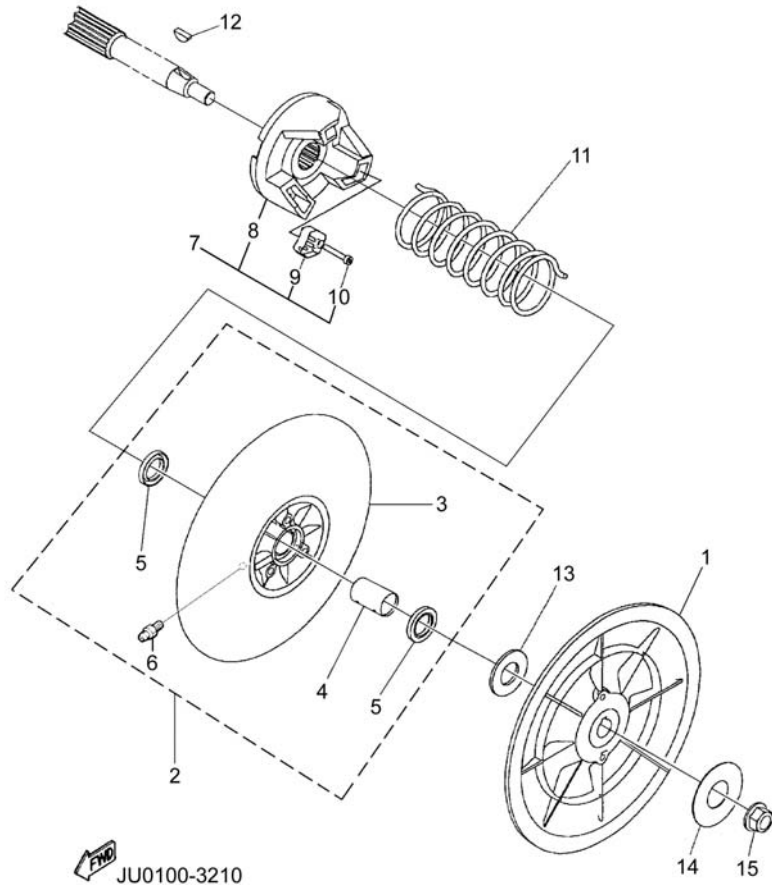


FIG. 22 SECONDARY SHEAVE

REF NO.	PART NUMBER	DESCRIPTION	QTY	REMARKS
1	JN6-G6260-00-00	SECONDARY FIXED SHEAVE	1	
2	JN6-W001C-00-00	SECONDARY SLIDING SHEAVE KIT	1	SEE NOTE "A"
3	JN6-G6271-02-00	.SECONDARY SLIDING SHEAVE	1	
4	90384-20824-00	.BUSHING, BIMETAL FORMED	1	
5	93109-20069-00	.SEAL, OIL	2	
6	93700-06809-00	.NIPPLE, GREASE	1	
7	JN6-G6280-00-00	SECONDARY SPRING SEAT COMP.	1	SEE NOTE "B"
8	JN6-G6280-00-00	.SECONDARY SPRING SEAT	1	
9	JN6-E7688-00-00	.SHOE, RAMP	3	
10	90110-04834-00	.BOLT, HEX. SOCKET	3	
11	90508-45844-00	SPRING, TORSION	1	L=100.5mm±1.5
12	90280-05022-00	KEY, WOODRUFF	1	
13	90202-20130-00	WASHER, PLAIN	1	
14	90201-12588-00	WASHER, PLAIN	1	
15	95607-12200-00	NUT, U-FLANGE	1	

NOTE "A": Secondary sheave kit includes: secondary sliding sheave, bushing, oil seals and grease nipple.

NOTE "B": Secondary spring seat comp. Includes: secondary spring seat, shoe ramp and bolts.

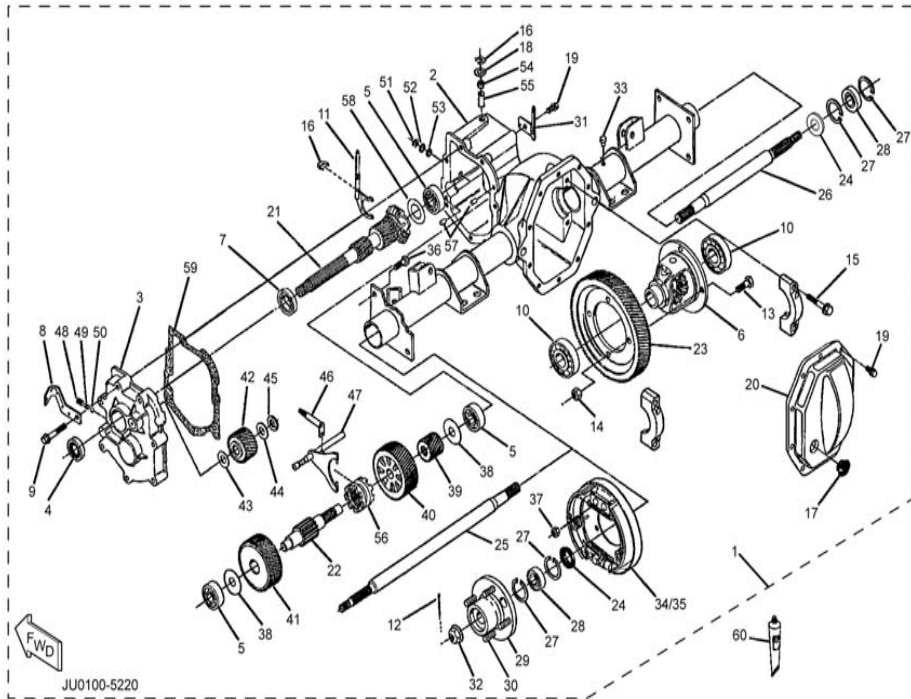


FIG. 23 TRANSMISSION 1

REF NO.	PART NUMBER	DESCRIPTION	QTY	REMARKS
1	JN6-G6300-04-00	TRANSAXLE ASSEMBLY	1	With brake plates
2	JN3-G6290-01-00	.CASE ASSY	1	
3	JN3-G6313-00-00	.COVER, TRANSMISSION	1	
4	93102-25868-00	.SEAL, OIL	1	
5	93306-303Y6-00	.BEARING	3	
6	JN6-G6410-00-00	.DIFFERENTIAL ASSY.	1	
7	93306-005Y4-00	.BEARING	1	
8	JN6-G6555-00-00	.BRACKET, 2	1	
9	90105-08859-00	.BOLT, FLANGE	7	
10	93306-007Y0-00	.BEARING	2	
11	JN3-G633E-01-00	.BAR, 1	1	
12	91490-25030-00	.PIN, SPLIT	2	
13	90101-10854-00	.BOLT, HEX.	4	
14	90170-10840-00	.NUT, HEX.	4	
15	90105-10840-00	.BOLT, FLANGE	4	
16	JU0-F722H-00-00	.RETAINER	2	
17	JN3-G6432-00-00	.STOPPER	1	
18	JU0-F723F-00-00	.WASHER, SPECIAL 1	1	
19	90101-08856-00	.BOLT, HEX.	11	
20	JN3-G6314-00-00	.COVER, TRANSMISSION 2	1	
21	JN3-G6320-01-00	.SHAFT, INPUT ASSY.	1	
22	JN3-G633G-00-00	.SHAFT	1	
23	JN3-G6355-00-00	.GEAR, PRIMARY	1	
24	93101-24822-00	.SEAL, OIL	2	
25	JN3-G6511-00-00	.SHAFT, RR. AXLE 1	1	
26	JN3-G6512-00-00	.SHAFT, RR. AXLE 2	1	
27	93420-44805-00	.CIRCLIP	4	

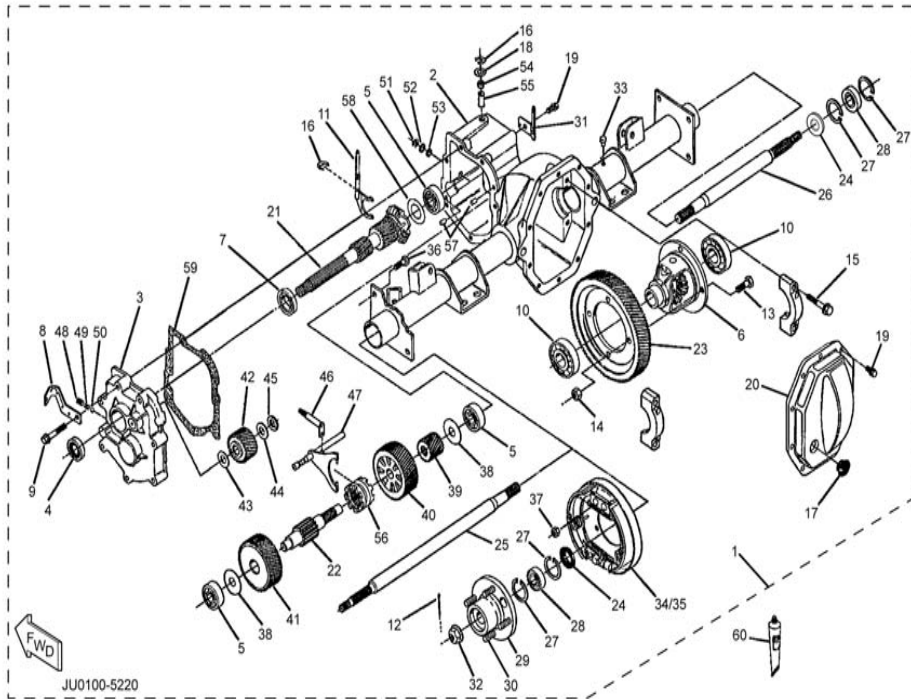


FIG. 23 TRANSMISSION 1

REF NO.	PART NUMBER	DESCRIPTION	QTY	REMARKS
28	93306-004X5-00	.BEARING	2	
29	JN3-G6514-00-00	.HUB, RR. AXLE	2	
30	90114-12804-00	.BOLT, KNURLED	8	
31	JN3-G6556-00-00	.BRACKET, 3	1	
32	90185-16833-00	.NUT, SELF-LOCKING	2	
33	JH7-G5619-00-00	.CAP	1	
34	JN6-F7290-03-00	.BACKING PLATE ASSY. LH	1	
35	JN6-F7280-03-00	.BACKING PLATE ASSY. RH	1	
36	90101-08855-00	.BOLT, HEX.	8	
37	90170-08841-00	.NUT, HEX.	8	
38	90201-178H8-00	.WASHER, PLAIN	2	
39	JN3-G6316-00-00	.GEAR, PINION 1	1	
40	JN3-G6326-00-00	.GEAR, WHEEL 1	1	
41	JN3-G6327-00-00	.GEAR, WHEEL 2	1	
42	JN3-G6356-00-00	.GEAR, IDLER	1	
43	90201-208H9-00	.WASHER, PLAIN	1	
44	90201-208J0-00	.WASHER, PLAIN	1	
45	93440-20813-00	.CIRCLIP	1	
46	JN3-G638A-00-00	.BAR, SHIFT 1	1	
47	JN6-G638E-00-00	.BAR, SHIFT 2	1	
48	90113-08803-00	.BOLT, SET	1	
49	90501-10852-00	.SPRING, COMPRESSION	1	
50	93500-06826-00	.BALL	1	
51	93410-12822-00	.CIRCLIP	1	
52	90202-12807-00	.WASHER, PLAIN	1	
53	93104-11829-00	.SEAL, OIL	1	
54	93109-10820-00	.SEAL, OIL	1	

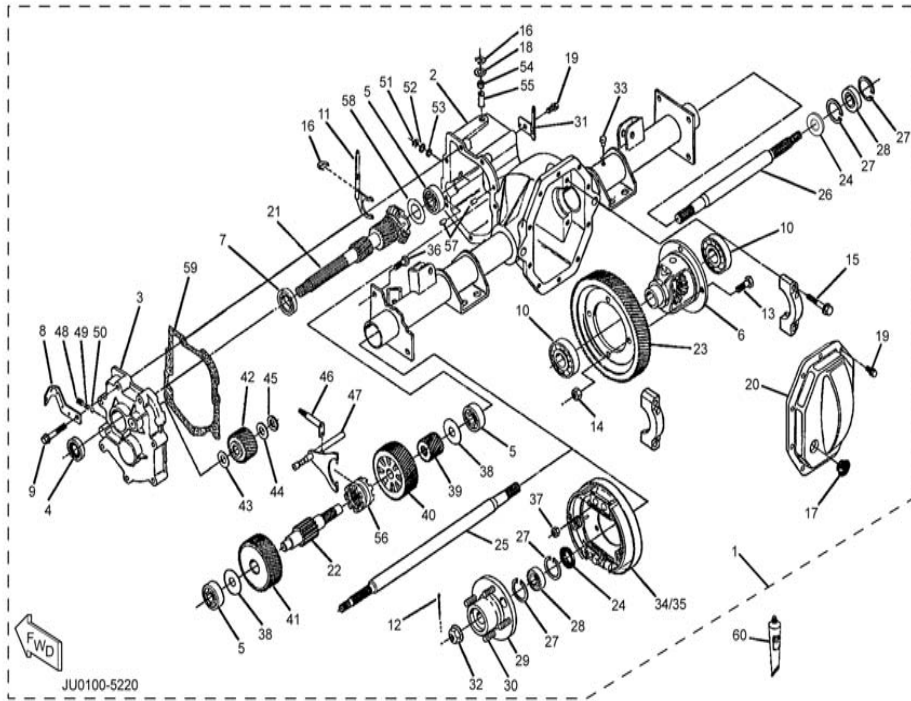
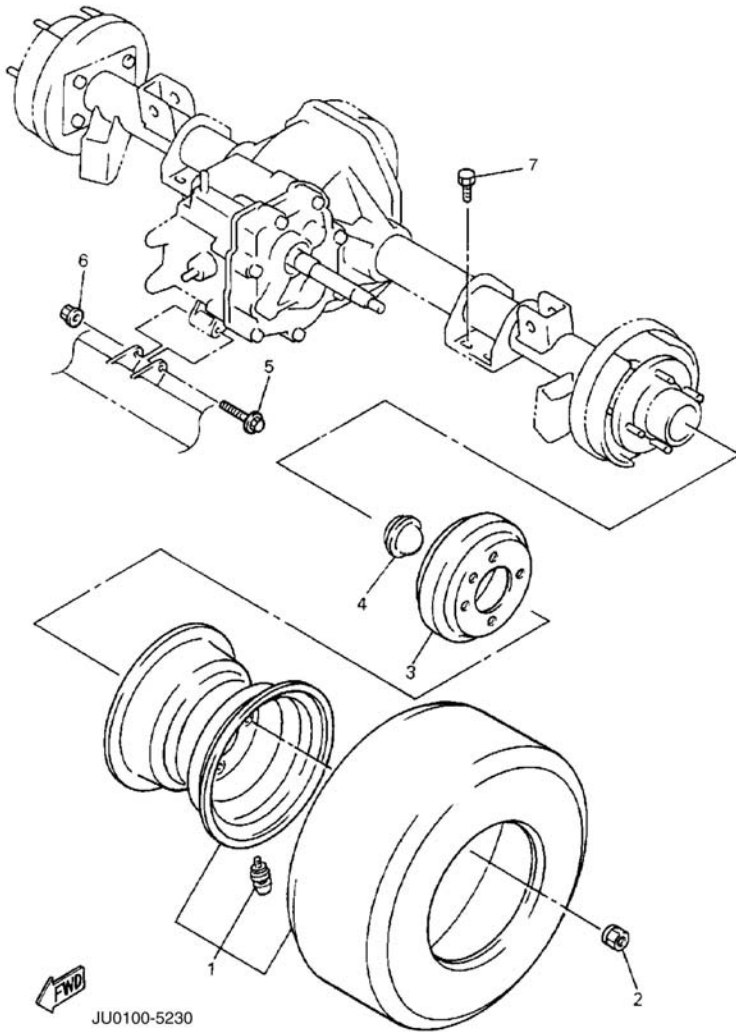


FIG. 23 TRANSMISSION 1

REF NO.	PART NUMBER	DESCRIPTION	QTY	REMARKS
55	JU0-G6164-00-00	.GOVERNOR BUSHING	1	
56	JN3-G6153-00-00	.COLLAR, GUIDE	1	
57	93606-10842-00	.PIN, DOWEL	2	
58	JN3-G6344-00-00	.SHIM	1	0.76mm (0.030in)
	JN3-G6344-10-00	.SHIM	1	0.90mm (0.035in)
	JN3-G6344-20-00	.SHIM	1	1.0mm (0.040in)
	JN3-G6344-30-00	.SHIM	1	1.14mm (0.045in)
	JN3-G6344-40-00	.SHIM	1	1.27mm (0.050in)
	JN3-G6344-50-00	.SHIM	1	1.39mm (0.055in)
	JN3-G6344-60-00	.SHIM	1	1.52mm (0.060in)
	JN3-G6344-70-00	.SHIM	1	1.65mm (0.065in)
	JN3-G6344-80-00	.SHIM	1	0.38mm (0.015in)
59	JN3-G6319-00-00	.GASKET	1	
60	ACC-QUICK-GS-KT	SEALANT 1	1	

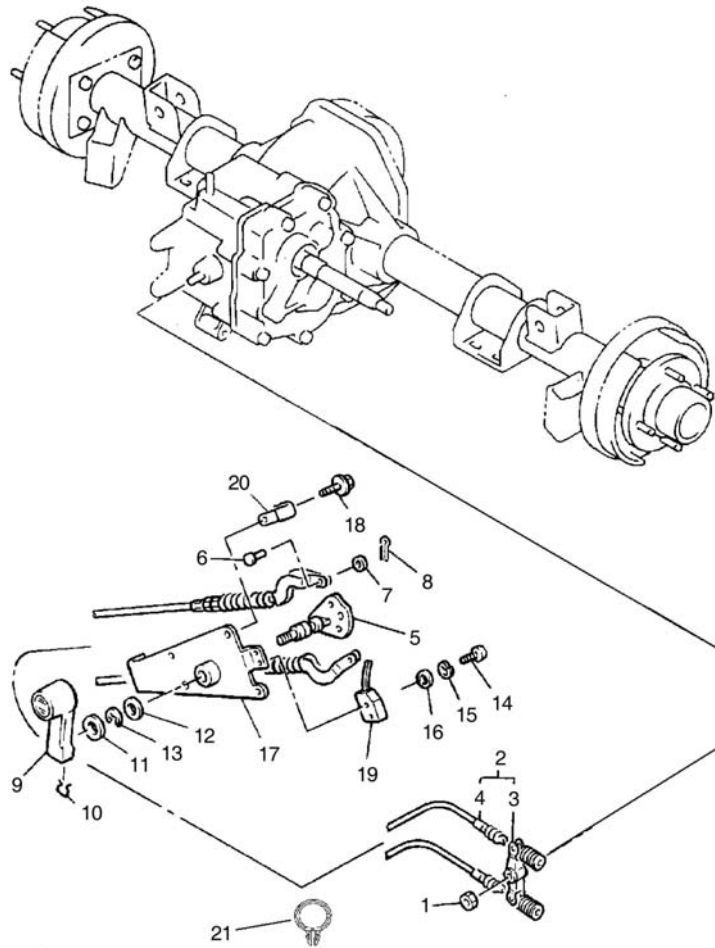


FIG. 24 REAR AXLE MOUNT / WHEEL



REF NO.	PART NUMBER	DESCRIPTION	QTY	REMARKS
1	JN6-F5100-11-00	WHEEL ASSY.	2	
2	90179-12262-00	NUT	8	
3	J55-G6521-10-00	DRUM	2	
4	JN6-F5118-00-00	COVER, HUB DUST	2	
5	95817-08075-00	BOLT, FLANGE	1	
6	90179-08491-00	NUT, FLANGE	1	
7	9751P-10620-00	BOLT, HEX. W/WASHER (7-FQA)	8	

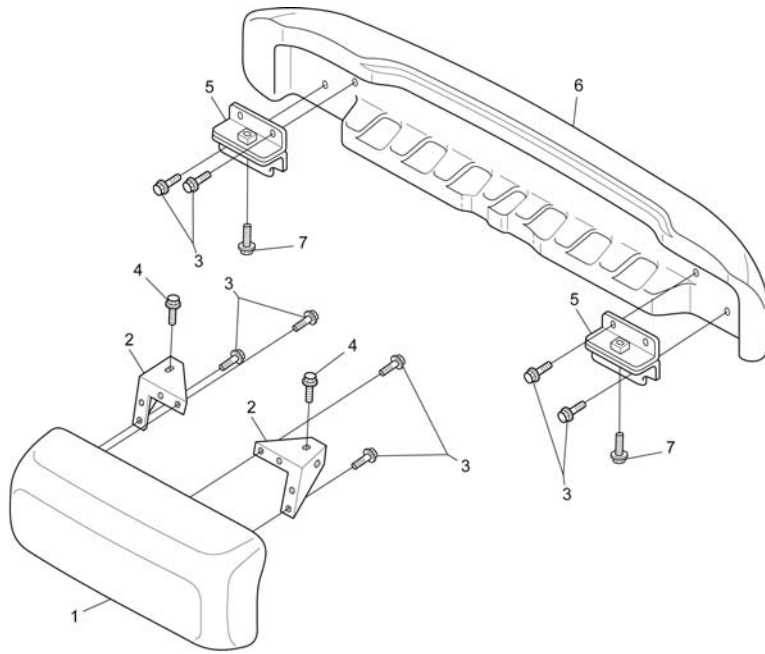
FIG. 25 SHIFTER / CABLES



JN6100-6160

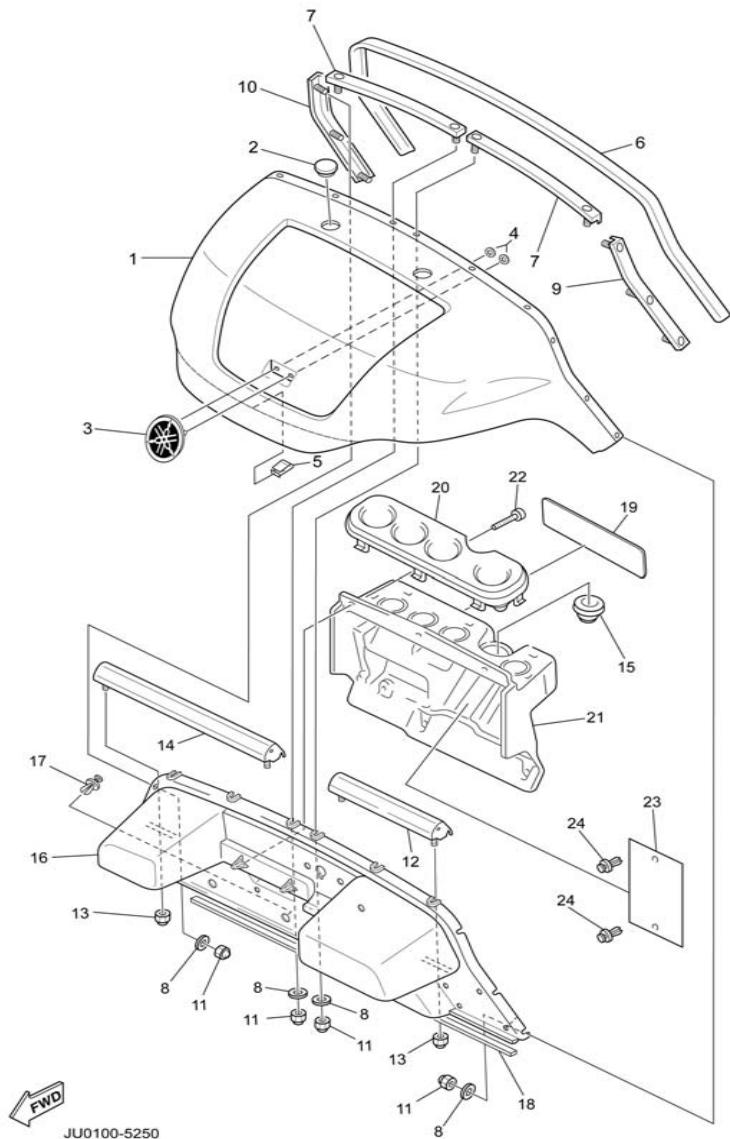
REF NO.	PART NUMBER	DESCRIPTION	QTY	REMARKS
1	95617-08100-00	NUT, U	1	
2	JN3-G8330-00-00	SHIFT CABLE END ASSY.	1	
3	J55-G6383-00-00	LEVER, SHIFT 2	1	
4	JN3-G6371-00-00	WIRE, SHIFT	2	
5	JF2-46382-00-00	LEVER, SHIFT 1	1	
6	91702-06014-00	PIN, CYL. HEAD W/HOLE	2	
7	92907-06600-00	WASHER, PLAIN	2	
8	91490-20025-00	PIN, SPLIT	2	
9	JN3-G6381-00-00	KNOB, SHIFT	1	
10	JN3-G6376-00-00	SPRING SET	1	
11	90201-201L9-00	WASHER, PLAIN	1	
12	90201-19551-00	WASHER, PLAIN	1	
13	99009-19400-00	CIRCLIP (S)	1	
14	98517-04016-00	SCREW, PANHEAD	2	
15	92907-04100-00	WASHER, LOCK	2	
16	92907-04600-00	WASHER	2	
17	JN3-G6372-00-00	BRACKET, SHIFT WIRE	1	
18	95817-06016-00	BOLT, FLANGE	4	
19	JN3-82617-01-00	SWITCH	1	
20	90465-06038-00	CLAMP	1	
21	90464-19815-00	CLAMP	1	

FIG. 26 BUMPER



REF NO.	PART NUMBER	DESCRIPTION	QTY	REMARKS
1	JN3-K7510-02-00	FRONT BUMPER COMP.	1	
2	JU0-K8164-00-00	STAY, FR. BUMPER 1	2	
3	90105-06876-00	BOLT, FLANGE	8	
4	9581P-08012-00	BOLT, FLANGE	2	
5	JN3-K8174-00-00	STAY, RR. BUMPER 1	2	
6	JN6-K7540-00-00	REAR BUMPER COMP.	1	
7	90105-10881-00	BOLT, FLANGE	2	

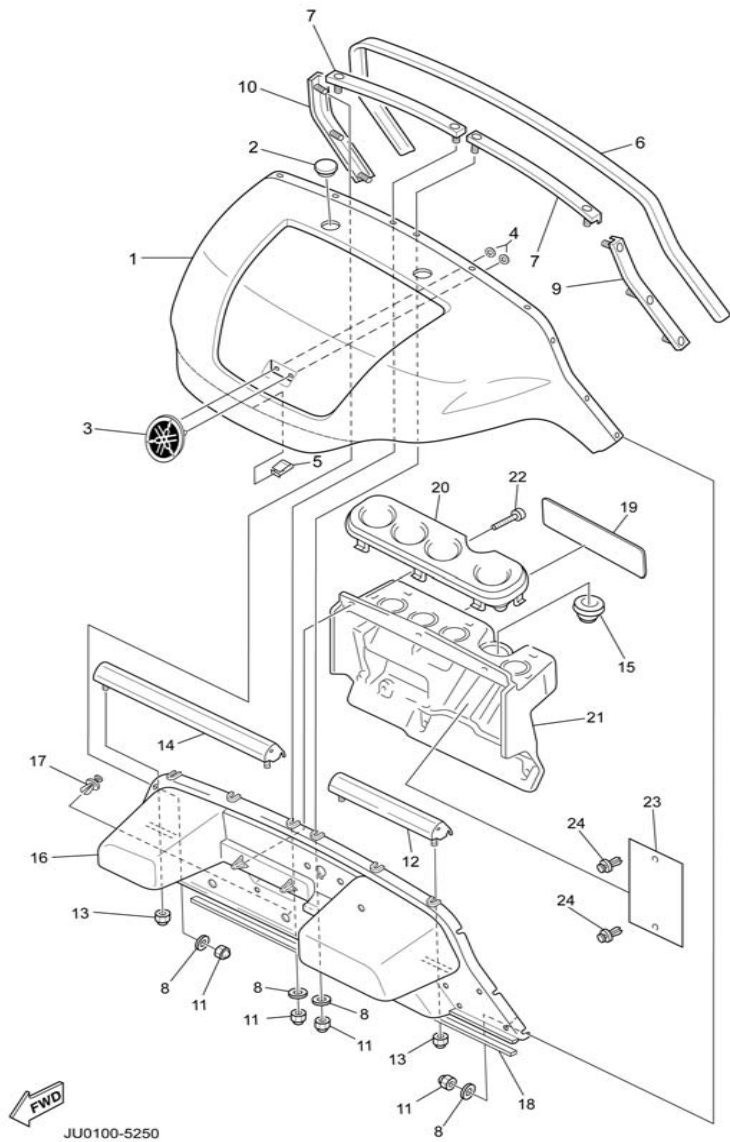
 JU0100-5240



JU0100-5250

FIG. 27 BODY

REF NO.	PART NUMBER	DESCRIPTION	QTY	REMARKS
1	JU0-K8115-00-00	COWL, FRONT	1	IVORY
	JU0-K8115-30-00	COWL, FRONT	1	BURGUNDY
	JU0-K8115-50-00	COWL, FRONT	1	HUNTER GRN
	JU0-K8115-60-00	COWL, FRONT	1	CANDY APPLE RED METALLIC
	JU0-K8115-70-00	COWL, FRONT	1	BRILLIANT BLUE METALLIC
2	JN3-K818E-00-00	CAP, PROTECTOR	2	W/O SUNTOP
3	JU0-F4161-00-00	EMBLEM, 1	1	
4	JU0-K7573-00-00	NUT, SPECIAL	2	
5	JU0-F2567-00-00	CLIP, FRONT COWL	1	
6	JF2-K811V-00-00	PROTECTOR, 1	1	
7	JU0-K8261-00-00	PLATE, BODY PROTECTOR 1	2	
8	90201-06829-00	WASHER, PLAIN	10	
9	JF2-K8262-01-00	PLATE, BODY PROTECTOR 2	1	
10	JF2-K8263-01-00	PLATE, BODY PROTECTOR 3	1	
11	90185-06836-00	NUT, SELF-LOCKING	10	
12	JN6-K8264-00-00	PLATE, BODY PROTECTOR 4	1	
13	95607-06200-00	NUT, U-FLANGE	4	
14	JN6-K8265-00-00	PLATE, BODY PROTECTOR 5	1	
15	JN3-K8273-00-00	COVER, HOLE 1	1	
16	JF2-K8114-02-00	PANEL, FRONT	1	
17	90269-08069-00	RIVET	3	
18	JN3-K815G-00-00	SEAL, FRONT STORAGE	1	
19	JN3-K7768-00-00	LABEL, WARNING 8	1	UR, FOR USA SEE NOTE "A"
	JN3-K7768-10-00	LABEL, WARNING 8	1	UR, FOR CAN SEE NOTE "A"



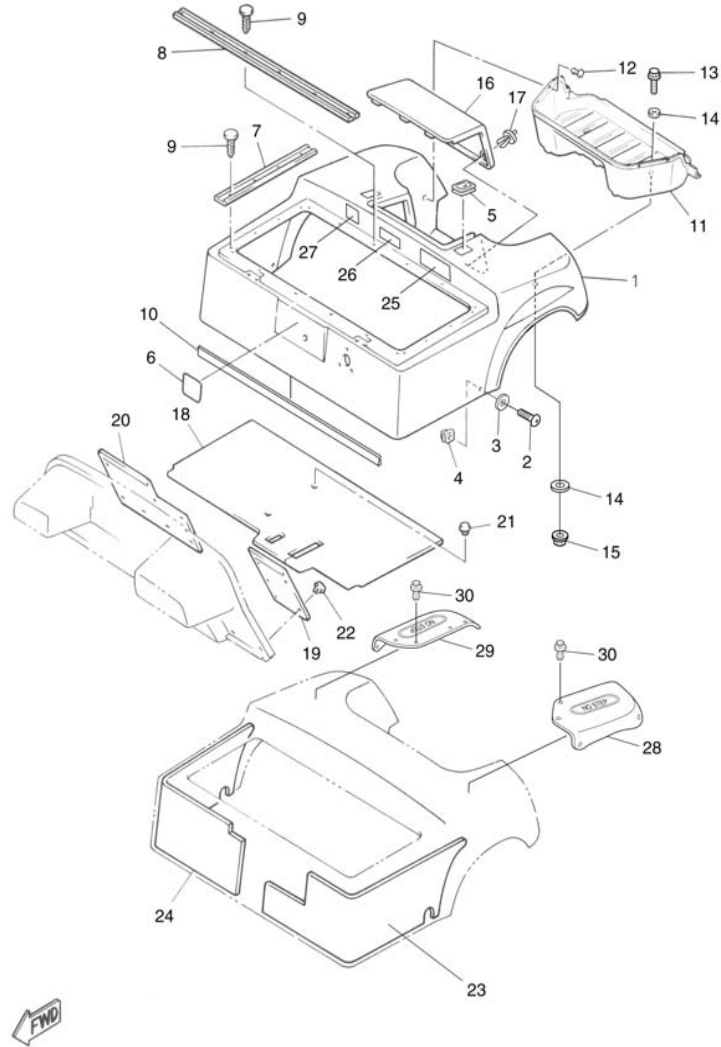
FWD  
JU0100-5250

FIG. 27 BODY

REF NO.	PART NUMBER	DESCRIPTION	QTY	REMARKS
	JN3-K7768-20-00	LABEL, WARNING 8	1	UR, FOR EUR SEE NOTE "A"
20	JN6-K835E-00-00	HOLDER, BEVERAGE	1	
21	JN3-K835G-00-00	HOUSING, HOLDER	1	
22	97707-60130-00	SCREW, PAN HEAD	6	
23	JN6-K8182-00-00	PLATE, 2	1	
24	90267-63047-00	RIVET, BLIND	2	

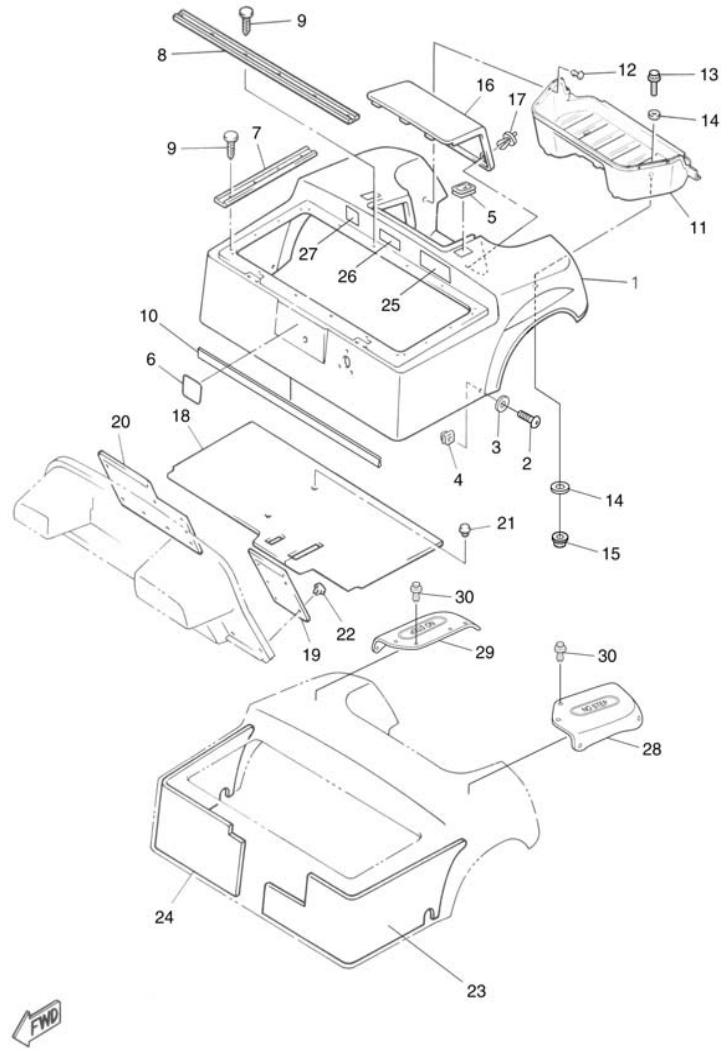
NOTE "A": When replacing "Housing Holder JN3-K835G-00-00" you should also replace "Label Warning 8 JN3-K7768-\*\*-00".

FIG. 28 BODY 2



JU0100-5260

REF NO.	PART NUMBER	DESCRIPTION	QTY	REMARKS
1	JN6-K8142-02-00	PANEL, REAR BODY	1	IVORY SEE NOTE "A"
	JU0-K8142-32-00	PANEL, REAR BODY	1	BURGUNDY SEE NOTE "A"
	JU0-K8142-52-00	PANEL, REAR BODY	1	HUNTER GREEN SEE NOTE "A"
	JU0-K8142-62-00	PANEL, REAR BODY	1	CANDY APPLE RED METALLIC SEE NOTE "A"
	JU0-K8142-72-00	PANEL, REAR BODY	1	BRILLIANT BLUE METALLIC SEE NOTE "A"
2	90110-06200-00	BOLT, HEX. SOCKET	2	
3	90201-068H0-00	WASHER, PLAIN	2	
4	90183-06811-00	NUT, SPRING	2	
5	JN3-K8363-00-00	PROTECTOR	2	
6	JN3-K7741-00-00	INDICATOR, 1	1	SEE NOTE "A"
7	JN3-K8425-00-00	SEAL, SEAT	2	
8	JN3-K842A-00-00	SEAL, SEAT 2	2	
9	90338-05834-00	PLUG	20	
10	JN6-K824E-00-00	TRIM, REAR BODY	1	
11	JF2-K8237-00-00	COVER, REAR FLOOR	1	
12	90269-08813-00	RIVET	7	
13	90101-06876-00	BOLT, HEX HEAD W/WASHER	2	
14	90201-068G7-00	WASHER, PLAIN	4	
15	90185-06836-00	NUT, SELF LOCK	2	
16	JU0-K8151-00-00	PANEL, INSPECTION LID OUTER	1	
17	90267-36853-00	RIVET, BLIND	2	
18	JN6-K8233-01-00	MAT, MAIN FLOOR 3	1	
19	JN6-K8231-01-00	MAT, MAIN FLOOR 1	1	
20	JN6-K8232-01-00	MAT, MAIN FLOOR 2	1	



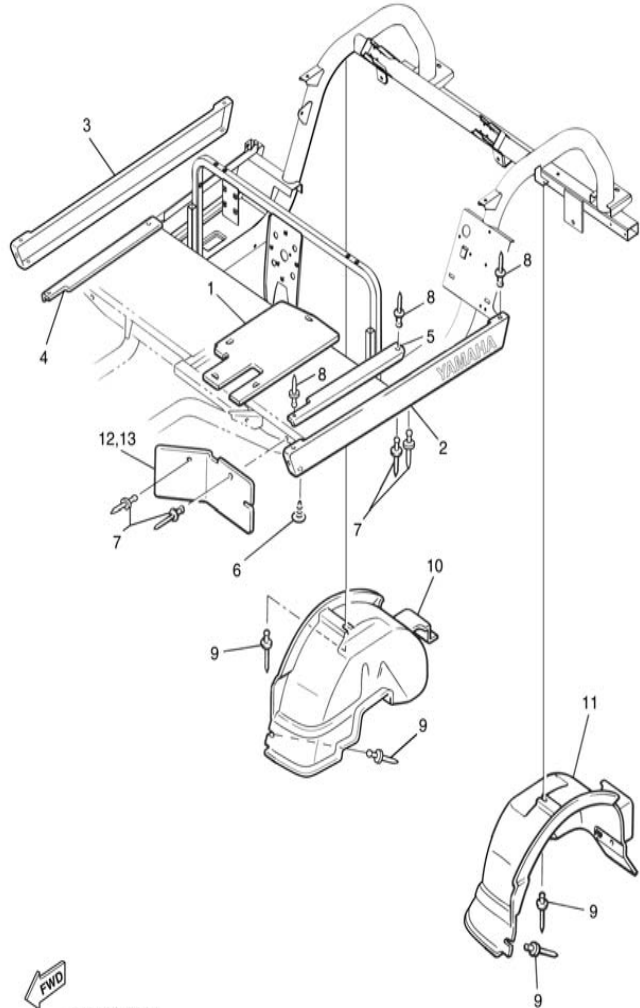
JU0100-5260

FIG. 28 BODY 2

REF NO.	PART NUMBER	DESCRIPTION	QTY	REMARKS
21	90269-08813-00	RIVET	4	
22	90267-63047-00	RIVET, BLIND	9	
23	JN6-K8251-01-00	PAD, SILENCER 1	1	
24	JN6-K8252-01-00	PAD, SILENCER 2	1	
25	JN6-H2377-00-00	LABEL	1	UR, SEE NOTE "A"
26	JN3-K8299-10-00	PLATE, CAUTION 3	1	UR, SEE NOTE "A"
27	JN3-K8297-10-00	PLATE, CAUTION 1	1	UR, SEE NOTE "A"
28	JN3-K8243-00-00	MAT, BODY SIDE LEFT	1	
29	JN3-K8244-00-00	MAT, BODY SIDE RIGHT	1	
30	90269-07810-00	RIVET	10	

NOTE "A": When replacing "Panel Rear Body JN6-K8142-02-00 or JU0-K8142-\*\*-00" you must also replace "Indicator 1 JN3-K7741-00-00", "Label JN6-H2377-00-00", "Plate Caution 3 JN3-K8299-10-00", and "Plate Caution 1 JN3-K8297-10-00".

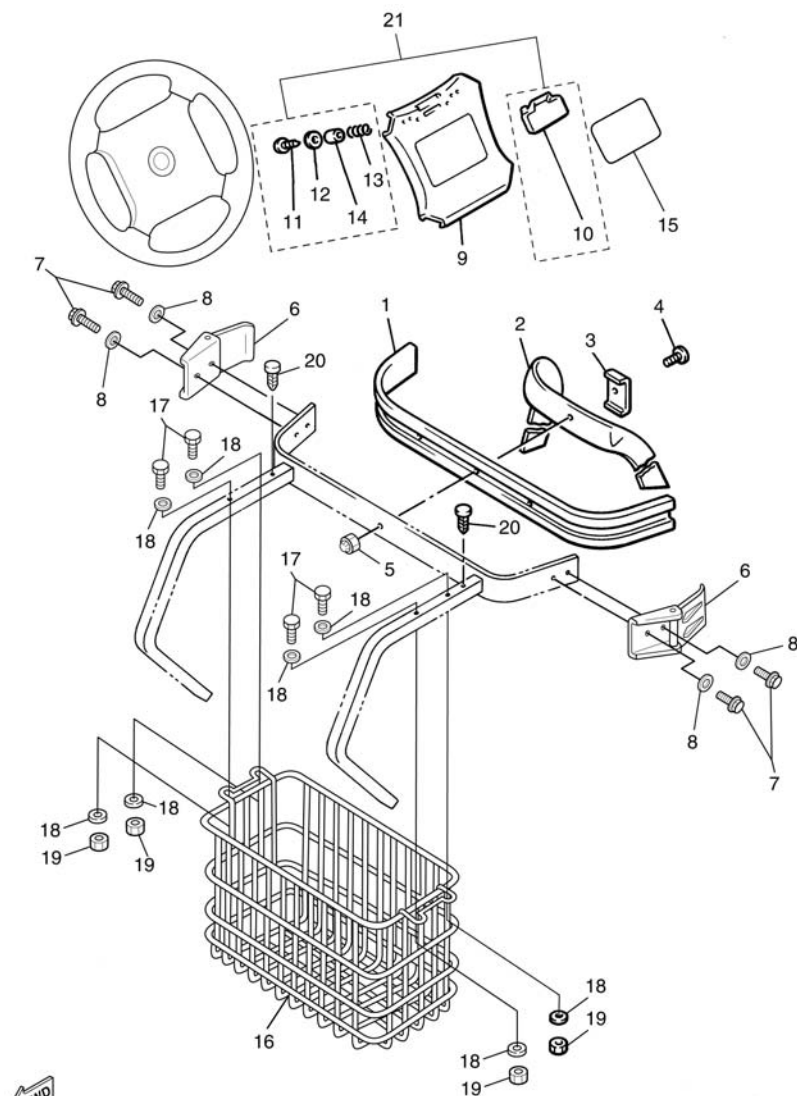
FIG. 29 BODY FITTING



REF NO.	PART NUMBER	DESCRIPTION	QTY	REMARKS
1	JN6-K8271-00-00	SERVICE LID, PEDAL	1	
2	JU0-K818A-00-00	PROTECTOR, SIDE PLATE 1	1	
3	JU0-K818B-00-00	PROTECTOR, SIDE PLATE 2	1	
4	JF2-K8215-10-00	PLATE, SIDE TRIM	1	
5	JF2-K821F-10-00	PLATE, SIDE TRIM	1	
6	90338-05829-00	PLUG	4	
7	90267-48831-00	RIVET, BLIND	8	
8	90267-48154-00	RIVET, BLIND	6	
9	90267-48086-00	RIVET, BLIND	4	
10	JF2-K8191-00-00	PANEL, REAR FENDER 1	1	
11	JF2-K8192-00-00	PANEL, REAR FENDER 2	1	
12	JF2-K8187-00-00	FLAP, FRONT FENDER LEFT	1	
13	JF2-K8189-00-00	FLAP, FRONT FENDER RIGHT	1	



FIG. 30 CARRIER



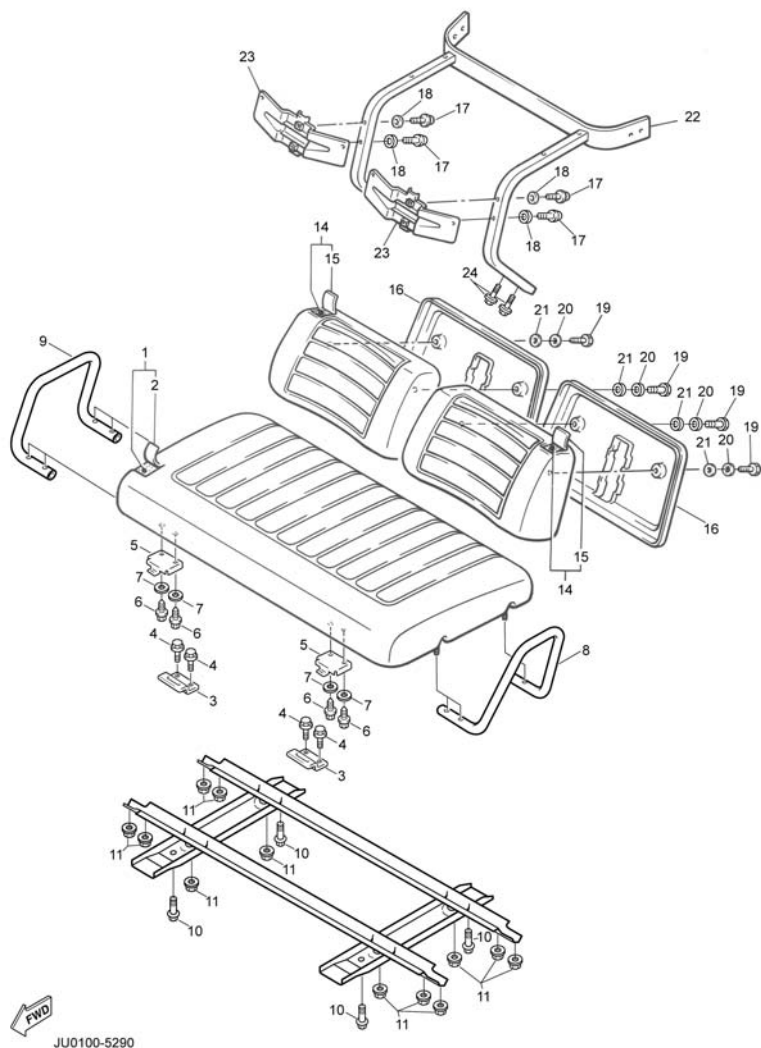
 JU0100-5280

REF NO.	PART NUMBER	DESCRIPTION	QTY	REMARKS
1	JF2-K8356-00-00	PAD, BAG SUPPORT	1	
2	JN6-K8355-00-00	BAND	1	
3	J38-78367-00-00	PLATE, ANCHOR	1	
4	90101-06865-00	BOLT, HEX.	1	
5	90185-06836-00	NUT, SELF LOCKING	1	
6	JN6-K8380-00-00	LOCK ASSY.	2	
7	90159-06845-00	SCREW, WITH WASHER	4	
8	9299R-06200-00	WASHER, PLAIN	4	
9	JN3-K8357-00-00	HOLDER, 1	1	SEE NOTE "A"
10	JN6-K8358-01-00	HOLDER, 2	1	
11	97707-40625-00	SCREW, PAN HEAD	2	
12	90201-044H9-00	WASHER, PLAIN	2	
13	90502-10013-00	SPRING, CONICAL	2	
14	90387-046N7-00	COLLAR	2	
15	JU0-K7762-00-00	LABEL, WARNING 2	1	UR, FOR USA SEE NOTE "A"
	JU0-K7762-10-00	LABEL, WARNING 2	1	UR, FOR CAN SEE NOTE "A"
	JU0-K7762-20-00	LABEL, WARNING 2	1	UR, FOR EUR SEE NOTE "A"
16	JN6-K8340-00-00	SWEATER BASKET	1	
17	90111-08803-00	BOLT, HEX. SOCKET BUTTON	4	
18	90201-088R9-00	WASHER, PLAIN	8	
19	90185-08832-00	NUT, SELF-LOCKING	2	
20	90338-09828-00	PLUG	2	
21	JN6-W001D-00-00	SCORECARD HOLDER KIT	1	SEE NOTE "B"

NOTE "A": When replacing "Holder 1 JN3-K8357-00-00" you must also replace "Label Warning 2 JU0-K7762-\*\*-00".

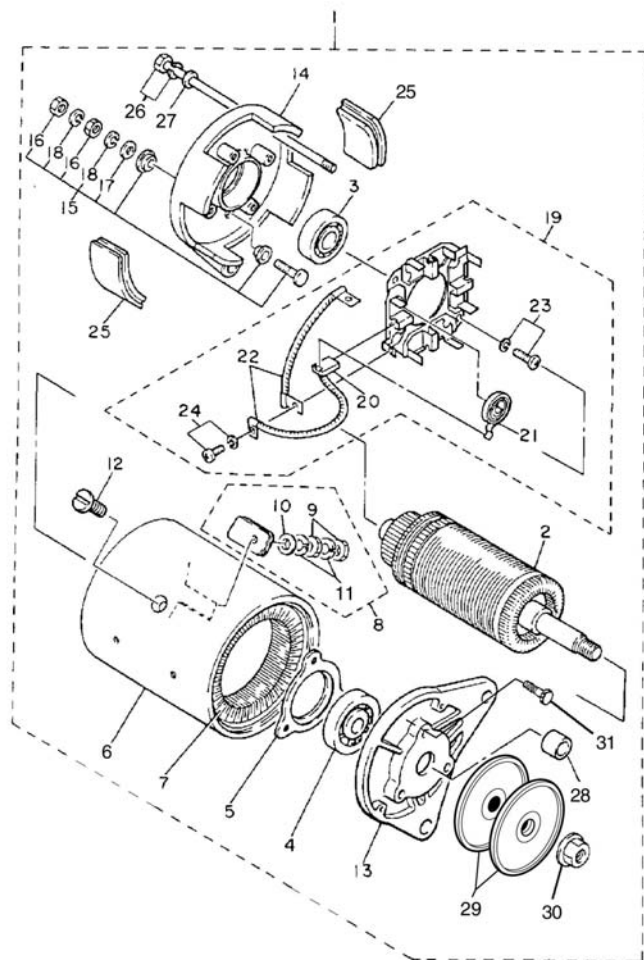
NOTE "B": Includes 10, 11, 12, 13, 14

FIG. 31 SEAT



REF NO.	PART NUMBER	DESCRIPTION	QTY	REMARKS
1	JN6-K8401-10-00	CUSHION SEAT	1	
2	JN6-K8404-10-00	.COVER, SEAT 2	1	
3	JF2-K8427-00-00	HINGE, SEAT FEMALE	2	
4	90105-06903-00	BOLT, FLANGE	4	
5	JN3-K8426-01-00	HINGE, SEAT MALE	2	
6	90111-06810-00	BOLT, HEX. SOCKET BUTTON	4	
7	90204-06870-00	WASHER, SPRG.	4	
8	JN6-K8361-00-00	ARM REST 1	1	
9	JU0-K8362-00-00	ARMREST 2	1	
10	90167-04815-00	SCREW, P/H TAPPING	4	
11	9560P-08200-00	NUT, U-FLANGE	12	
12	JN6-K8121-00-00	REINFORCEMENT 1	2	
13	JN6-K8122-01-00	REINFORCEMENT 2	2	
14	JN3-K8402-00-00	BACK, SEAT SUB.	2	
15	JN3-K841G-09-00	.COVER, SEAT BACK 2	1	
16	JN3-K8413-00-00	COVER, SEAT BACK	2	
17	90119-08820-00	BOLT, HEX. W/WASHER	4	
18	90201-098J4-00	WASHER, PLAIN	4	
19	95895-06025-00	BOLT, FLANGE	4	
20	90201-068G0-00	WASHER, PLAIN	4	
21	90201-068G6-00	WASHER, PLAIN	4	
22	JU0-K8423-00-00	SUPPORT, SEAT BACK	1	
23	JN3-K842H-00-00	RETAINER, SEAT	2	
24	90105-08871-00	BOLT, FLANGE	4	

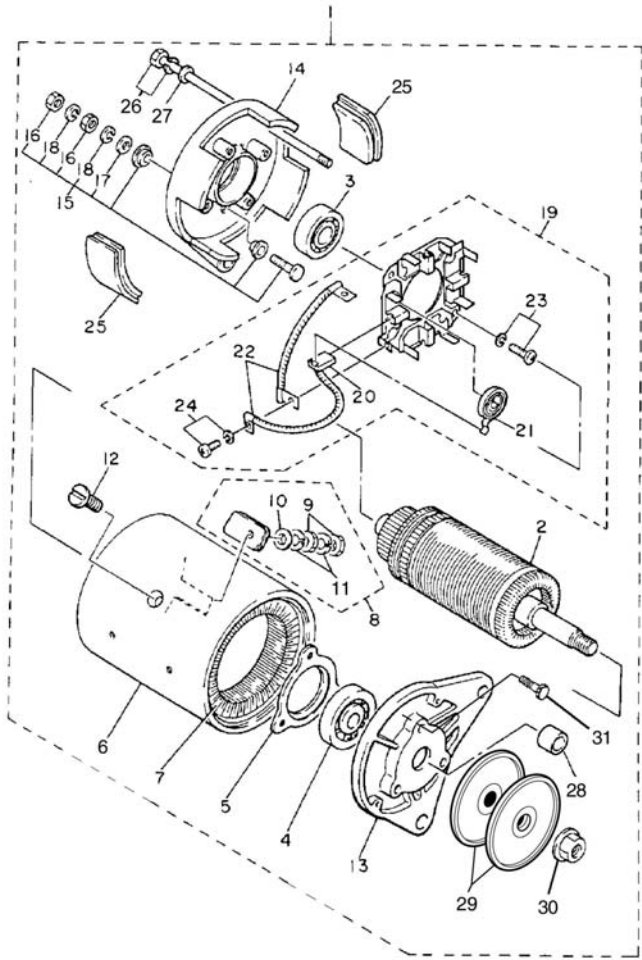
FIG. 32 STARTER GENERATOR



JN6100-6232

REF NO.	PART NUMBER	DESCRIPTION	QTY	REMARKS
1	JN6-H1100-01-00	STARTER GENERATOR	1	
2	JN3-H1150-00-00	.ARMATURE ASSY	1	
3	93306-20226-00	.BEARING 1 (6202 SD)	1	
4	J10-81158-10-00	.BEARING 2 (6203 SD)	1	
5	J10-81159-10-00	.HOLDER, BEARING	1	
6	JN6-H1110-10-00	.STATOR ASSY	1	
7	JN6-H1160-10-00	.FIELD COIL ASSY	1	
8	J10-81148-10-00	.SCREW 4	2	
9	95380-06600-00	.NUT	4	
10	92990-06600-00	.WASHER, WAVE	2	
11	92995-06100-00	.WASHER, WAVE	4	
12	J10-81146-10-00	.SCREW 2	4	
13	J38-81165-10-00	.BRACKET, STARTER GENERATOR 1	1	
14	J10-81166-10-00	.BRACKET, STARTER GENERATOR 2	1	
15	J10-81147-10-00	.SCREW 3	2	
16	95380-06600-00	.NUT	4	
17	92990-06600-00	.WASHER, WAVE	2	
18	92995-06100-00	.WASHER, WAVE	4	
19	JF2-81119-00-00	.BRUSH HOLDER ASSY	1	
20	JF2-81111-00-00	.BRUSH	4	
21	J38-81113-10-00	.SPRING, BRUSH	4	
22	J10-81115-10-00	.WIRE, LEAD	2	
23	98507-05016-00	.SCREW, PAN HEAD	2	
24	98580-04010-00	.SCREW, PAN HEAD	4	
25	J10-81129-10-00	.COVER, BRUSH	4	
26	J10-81145-10-00	.SCREW 1	2	
27	92990-06600-00	.WASHER, PLAIN	2	

FIG. 32 STARTER GENERATOR

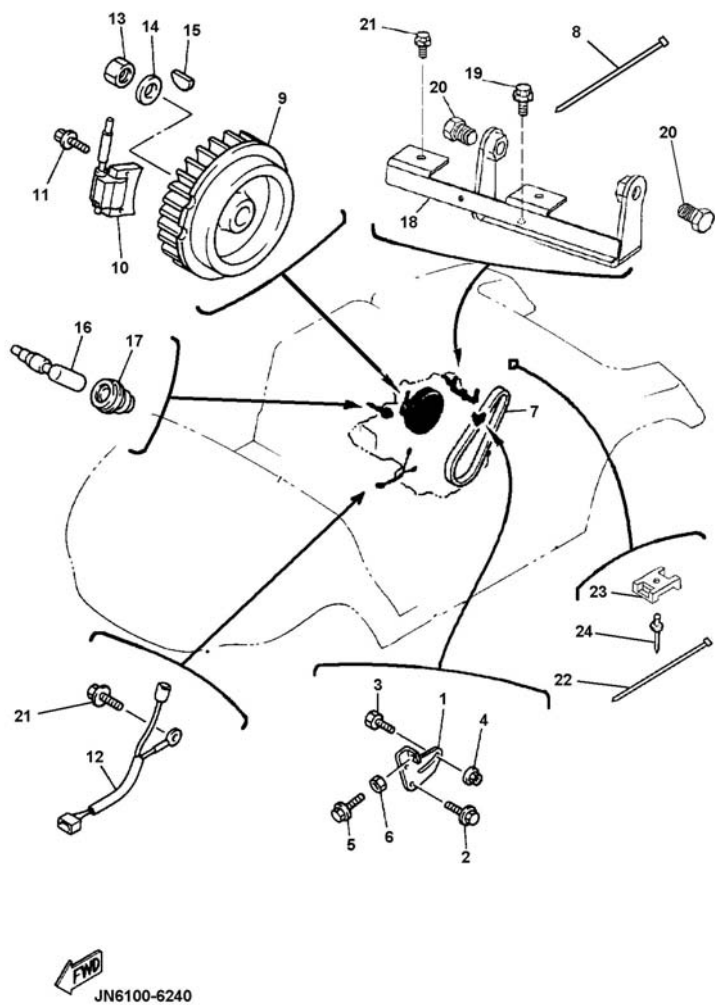


REF NO.	PART NUMBER	DESCRIPTION	QTY	REMARKS
28	JN3-H1661-00-00	.SPACER	1	
29	JN3-H1161-00-00	.PULLEY	2	
30	90179-16889-00	.NUT, FLANGE	1	
31	98507-05018-00	.SCREW	3	



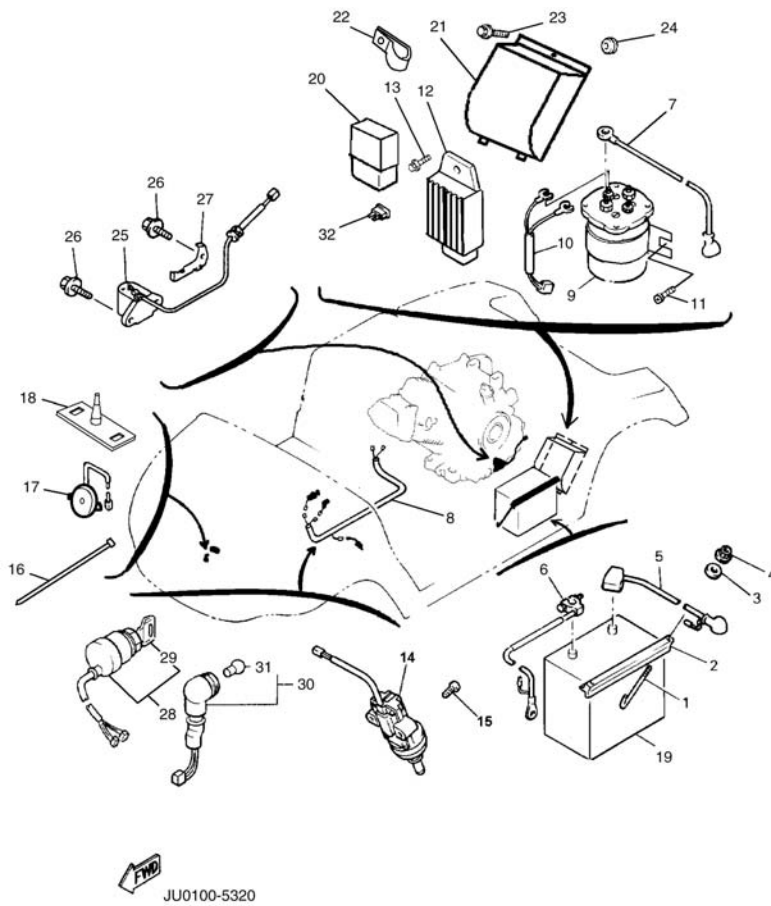
JN6100-6232

FIG. 33 ELECTRICAL 1



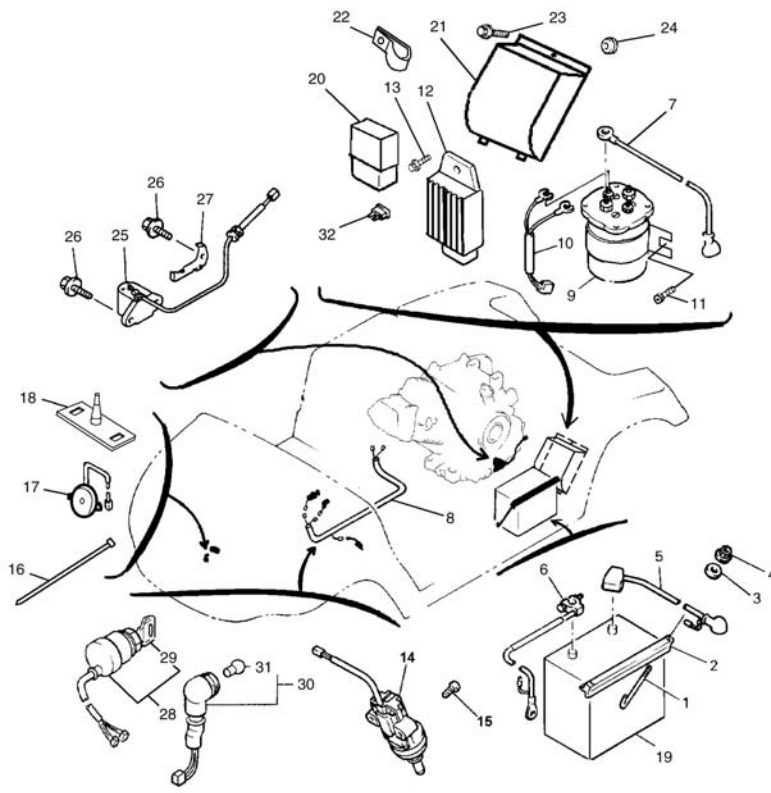
REF NO.	PART NUMBER	DESCRIPTION	QTY	REMARKS
1	JN6-H1170-00-00	TENSIONER ASSY	1	
2	9582P-08020-00	BOLT, FLANGE	2	
3	90109-08875-00	BOLT	1	
4	90179-08491-00	NUT, FLANGE	1	
5	90101-06478-00	BOLT, HEX.	1	
6	95317-06600-00	NUT, HEX.	1	
7	JN6-H1173-00-00	BELT	1	
8	90464-09823-00	CLAMP	1	
9	JR7-85650-00-00	ROTOR ASSY.	1	
10	JN6-85640-00-00	T.C.I. UNIT	1	
11	95817-06025-00	BOLT, FLANGE	2	
12	JN6-82318-00-00	WIRE, SUB-LEAD	1	
13	95307-18600-00	NUT, HEX.	1	
14	90201-18620-00	WASHER, PLAIN	1	
15	90280-04052-00	KEY, WOODRUFF	1	
16	JN6-82370-00-00	PLUG CAP ASSY	1	
17	JE8-82372-00-00	SEAL, PLUG CAP	1	
18	JN6-H1171-00-00	BRACKET, STARTER GENERATOR	1	
19	9582P-08020-00	BOLT, FLANGE	2	
20	95817-12025-00	BOLT, FLANGE	2	
21	95817-06016-00	BOLT, FLANGE	3	
22	90464-40825-00	CLAMP	3	
23	90207-05800-00	WASHER, FINISH	1	
24	90267-489U9-00	RIVET	1	

FIG. 34 ELECTRICAL 2



REF NO.	PART NUMBER	DESCRIPTION	QTY	REMARKS
1	JN3-H2133-00-00	SCREW, FITTING	2	
2	J55-H2136-00-00	PLATE, BATTERY FITTING	1	
3	92907-06200-00	WASHER, PLAIN	2	
4	95707-06500-00	NUT, FLANGE	2	
5	JN6-H2115-01-00	WIRE, PLUS LEAD	1	
6	JN6-H2116-01-00	WIRE, MINUS LEAD	1	
7	JN6-H2117-00-00	WIRE, LEAD	1	
8	JN6-H2590-00-00	WIRE HARNESS	1	WITH #33 FUSE
9	JR3-H1950-00-00	RELAY ASSY.	1	
10	JN6-H2105-00-00	HARNESS, WIRE	1	
11	90163-06005-00	SCREW, HEX. T	2	
12	JF2-81910-01-00	VOLTAGE REGULATOR	1	
13	90105-06876-00	BOLT, FLANGE	1	
14	JF7-82817-20-00	SWITCH, ACCELERATOR STOP	1	
15	97607-05325-00	SCREW, PAN HEAD W/WASHER	2	
16	90464-31827-00	CLAMP	4	
17	JR1-H3383-01-00	BUZZER	1	
18	JN6-H3386-00-00	STAY, BUZZER	1	
19	*	BATTERY ASSY.	1	LM (12 V, BCI group 24, CCA: minimum 400A)
20	4U8-81950-02-00	RELAY ASSY.	1	
21	JN6-H1942-00-00	COVER	1	
22	90461-16802-00	CLAMP	1	
23	90105-06876-00	BOLT, FLANGE	2	
24	90480-25856-00	GROMMET	1	
25	JN6-85720-12-00	OIL LEVEL GAUGE	1	
26	95817-06012-00	BOLT, FLANGE	4	
27	JN6-85724-00-00	CLAMP, OIL LEVEL	1	

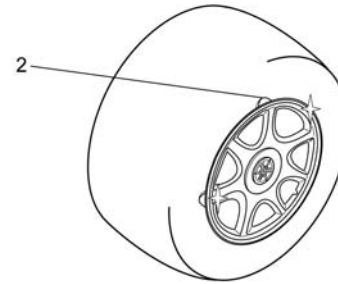
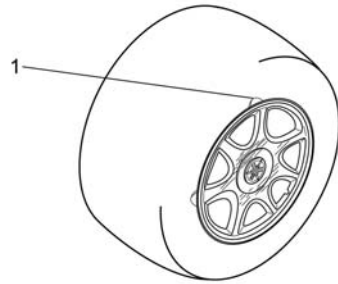
FIG. 34 ELECTRICAL 2



 JU0100-5320

REF NO.	PART NUMBER	DESCRIPTION	QTY	REMARKS
28	JN8-82510-02-00	MAIN SWITCH ASSY.	1	
	JN8-82510-09-00	MAIN SWITCH ASSY. , RANDOM KEY	1	AP
29	J44-82511-00-YY	KEY, MAIN SWITCH	1	FOR STD MAIN SWITCH ONLY
30	JN6-83530-00-00	PILOT LAMP ASSY.	1	
31	123-83516-21-XX	.BULB, (12V-3.4W)	1	
32	42X-82151-00-00	FUSE (10A-BLADE)	1	

FIG. 35 OPTIONAL HUB CAPS



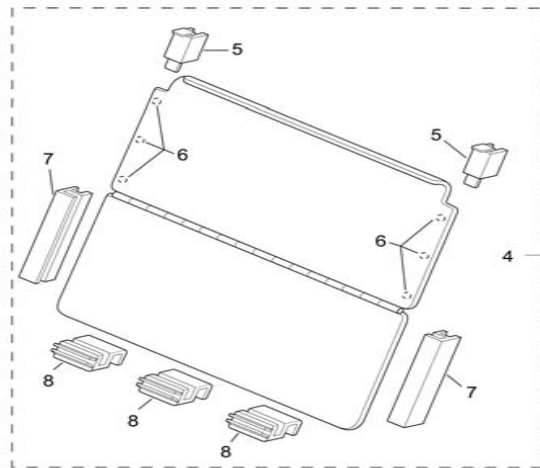
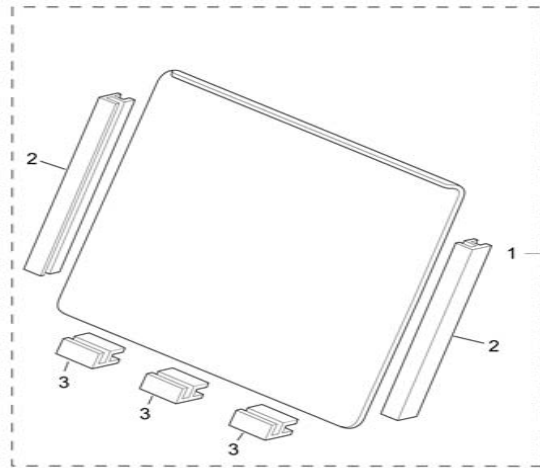
REF NO.	PART NUMBER	DESCRIPTION	QTY	REMARKS
1	JN6-F512M-C0-00	HUB-CAP, CHROME	4	Comes with clips
2	JN6-F512M-SM-00	HUB-CAP, BRUSHED ALUMINUM	4	Comes with clips
3	JG5-F512N-00-00	.CLIP, HUB CAP	3	



JU0100-5340



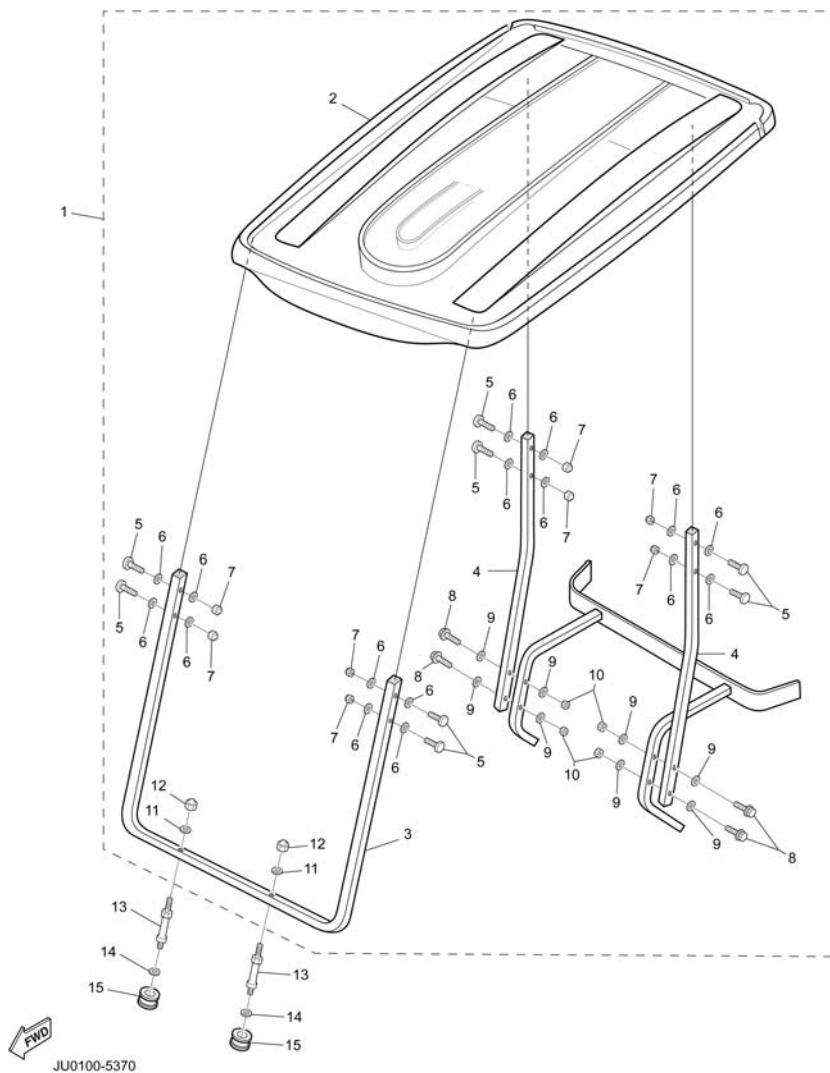
FIG. 36 OPTIONAL WINDSHIELD



JU0100-5360

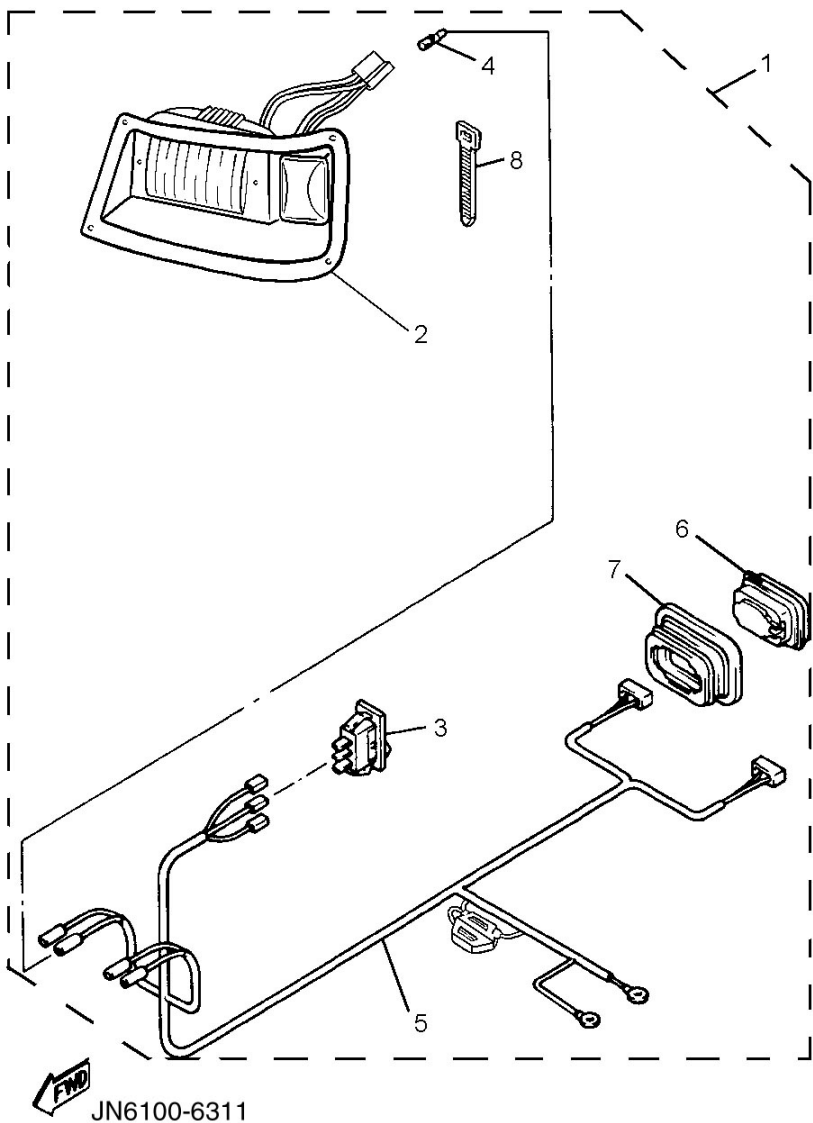
REF NO.	PART NUMBER	DESCRIPTION	QTY	REMARKS
1	JU0-K7200-00-00	WINDSHIELD ASSY., SOLID (CLEAR)	1	UR, AP
	JU0-K7200-10-00	WINDSHIELD ASSY., SOLID (TINTED)	1	UR, AP
2	JU0-K838C-00-00	.HOLDER SHIELD	2	
3	JU0-K722A-01-00	.FASTENER, 2	3	
4	JU0-K7200-20-00	WINDSHIELD ASSY., HINGED (CLEAR)	1	UR, AP
	JU0-K7200-30-00	WINDSHIELD ASSY., HINGED (TINTED)	1	UR, AP
5	JU0-K722E-00-00	.SLIDE LATCH	2	
6	JN3-K7238-00-00	.DAMPER, WINDSHIELD	6	
7	JU0-K838A-00-00	.RETAINER 1	2	
8	JU0-K7222-00-00	.BRACKET, W/S	3	

FIG. 37 OPTIONAL SUN ROOF



REF NO.	PART NUMBER	DESCRIPTION	QTY	REMARKS
1	JU0-K8310-00-00	SUN ROOF ASSY	1	
2	JU0-K8314-00-00	.COVER, SUNROOF	1	
3	JU0-K8312-01-00	.SUPPORT, ROOF 1	1	
4	JU0-K8313-01-00	.SUPPORT, ROOF 2	2	
5	JU0-K8388-00-00	.BOLT, ROOF 1	8	
6	90201-088T2-00	.WASHER, PLAIN	16	
7	JU0-K8398-00-00	.NUT, ROOF 1	8	
8	90101-22864-00	.BOLT, HEX.	4	
9	90201-088J3-00	.WASHER, PLAIN	8	
10	90185-12835-00	.NUT, SELF LOCKING	4	
11	90201-088J4-00	.WASHER, PLAIN	2	
12	90176-08801-00	.NUT, CAP	2	
13	JU0-K834A-00-00	REINF., HOLDER	2	
14	90201-11800-00	WASHER, PLATE	2	
15	JN3-K832F-00-00	GROMMET, ROOF	2	

FIG. 38 OPTIONAL LIGHT KIT



REF NO.	PART NUMBER	DESCRIPTION	QTY	REMARKS
1	JN6-H430A-20-00	HEAD LIGHT UNIT COMP.	1	
2	JN3-H4303-20-00	.HEAD LIGHT UNIT ASSY.	1	INCLUDES RH/LH HEADLIGHTS
3	JN3-H3976-20-00	.SWITCH, HANDLE 1	1	
4	90890-05159-00	.BULLET, PLUG	2	
5	JN6-H4159-00-00	.CORD, HEAD LIGHT	1	
6	JN3-H4700-00-00	.TAIL LIGHT ASSY	2	
7	JN3-H4718-00-00	.GROMMET, TAIL LAMP	2	
8	90464-14806-00	.CLAMP	20	

