

YAMAHA



PARTS CATALOG

1996 G19EP

1997 G19ER

1998 G19ES

1999 G19ET

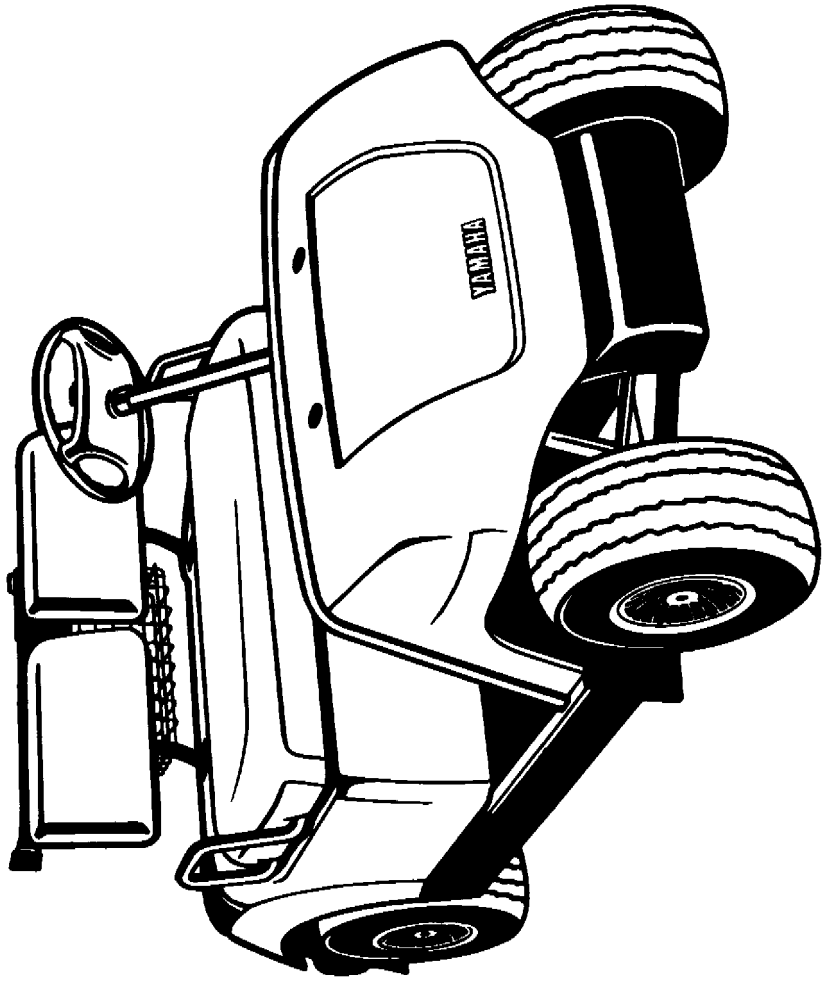
2000 G19EU

2001 G19EW

(JR11) U.S.A., CANADA, EUROPE, OTHERS

MARCH 2000

10JR1-100E4



FOREWORD

This Parts Catalogue is related to the parts for the model(s) shown in the frame below. When you are ordering replacement parts, please refer to this Parts Catalogue and quote both part numbers and part names correctly.

G19E (JR11)

1. Modifications or additions which have been made after issue of the Parts Catalogue will be announced in the Yamaha Parts News. It is advisable that you make necessary corrections to the Parts Catalogue according to the Yamaha Parts News.

2. Abbreviations

The following abbreviations are used in this Parts Catalogue.

- “UR” Use specified part number.
- “UN” Use as many as needed.
- “AP” Alternate parts.
- “LM” Local Made (Parts need to be ordered locally)
- “F#” Frame Number (Applicable machine number)

3. Parts, which are to be supplied in an assembly, are listed with a dot (.) in front of the part name as shown below.

EXAMPLE
 CARBURETOR ASSY
 .JET, PILOT
 .NOZZLE, MAIN

4. Number of component for assembly

The numeral appearing to the right of each component part indicates the quantity of parts for each assembly unit.

EXAMPLE

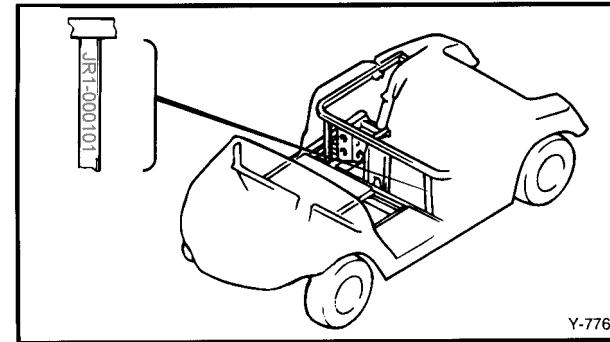
PART NO.	DESCRIPTION	Q'TY	REMARKS
2F5-83310-60	FRONT FLASHER LIGHT ASSY	2	
115-83311-60	.BULB (6V-18W)	1	

5. Applicable colors of graphics are represented in the “REMARKS” as shown below.

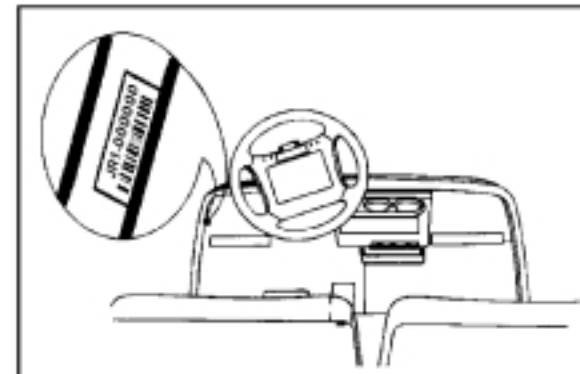
PART NO.	DESCRIPTION	Q'TY	REMARKS
2N4-24110-00-X5	FUEL TANK COMP.	1	MAXIM RED
3J1-24240-10	.GRAPHIC, FUEL TANK	1	for MXR

6. Applicable Serial No. and Color Code

- ① Frame Serial No. JR1-000101 ~
- ② Engine Serial No. JR1-000101 ~



- ① Frame Serial No. JR1-300101 ~
- ② Engine Serial No. JR1-300101 ~



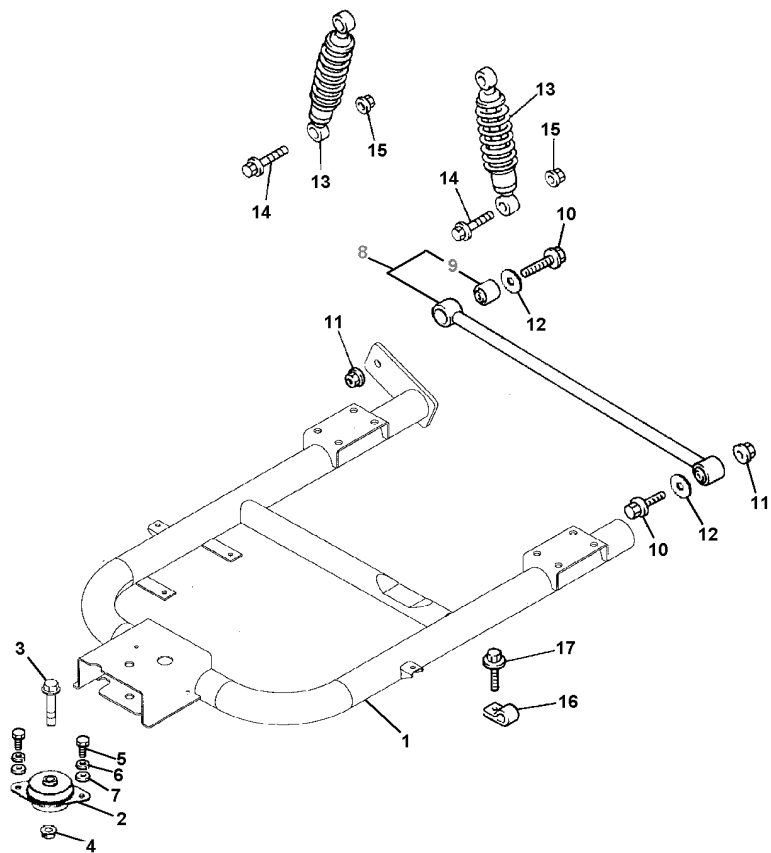
7. Note that the illustrations are for reference in finding parts numbers, not to be used for assembling. When assembling, please use the applicable service manual.

8. The asterisk (*) before a reference number indicates modification items after the first edition.

CONTENTS

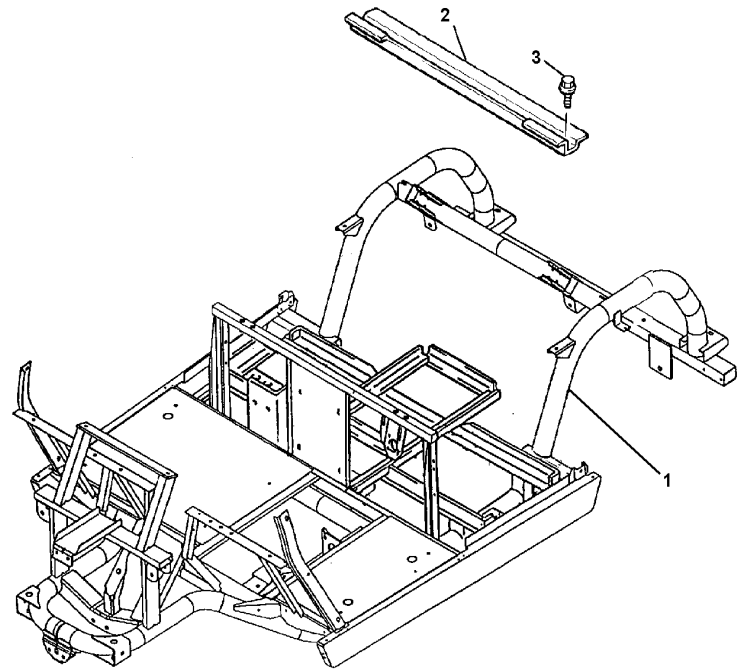
CHASSIS	PAGE		PAGE
Rear Arm / Suspension	5	Battery Charger	34
Frame	6	Optional Seat Adjuster	35
Front Suspension / Wheel	7 ~ 8	Optional Hub Caps	36
Steering	9 ~ 10	Optional Draw Bar	37
Brake	11 ~ 13	Optional Windshield	38
Brake 2	14	Optional Sunroof	39
Brake 3	15	Optional Ornament Plate	40
Accelerator	16	Optional Fleet Numbers	41 ~ 42
Transmission	17 ~ 18	Optional Sand Bottle / Rake	43
Rear Axle Mount / Wheel	19	Optional Light Kit	44
Bumper	20	Optional Enclosure	45
Body (Front)	21 ~ 22	Optional Energy / Hour Gauges	46
Body 2 (Rear)	23 ~ 24		
Body Fitting	25		
Carrier	26		
Seat	27 ~ 28		
Electric Motor	29		
Controller 1	30 ~ 31		
Electrical 1	32 ~ 33		

FIG. 1 REAR ARM / SUSPENSION



REF NO.	PART NUMBER	DESCRIPTION	QTY	REMARKS
1	JN8-F2110-00-00	REAR ARM COMP.	1	
2	JN6-F2123-01-00	BUSHING, 1	1	
3	90105-13864-00	BOLT, FLANGE	1	
4	90179-13878-00	NUT	1	
5	97017-10020-00	BOLT, HEX. HEAD	2	
6	92907-10100-00	WASHER, LOCK	2	
7	92907-10600-00	WASHER, PLAIN	2	
8	JN6-F2172-00-00	ROD, CONNECTING	1	
9	JN6-F2124-00-00	BUSHING, 2	2	
10	95817-12065-00	BOLT, FLANGE	2	
11	95617-12200-00	NUT, U-FLANGE	2	
12	90201-12426-00	WASHER, PLAIN	2	
13	JN4-F2210-00-00	SHOCK ABSORBER	2	
14	95807-10055-00	BOLT, FLANGE	4	
15	95607-10200-00	NUT, U-FLANGE	4	
16	90462-20186-00	CLAMP	2	
17	95817-06016-00	BOLT, FLANGE	2	

 JN8100-6010



 JR1100-6010

FIG. 2 FRAME

REF NO.	PART NUMBER	DESCRIPTION	QTY	REMARKS
1	JR1-F2501-02-00	FRAME COMP.	1	
2	JN6-F254R-00-00	SUPPORT, BODY MOUNT	1	
3	95817-08016-00	BOLT, FLANGE	2	

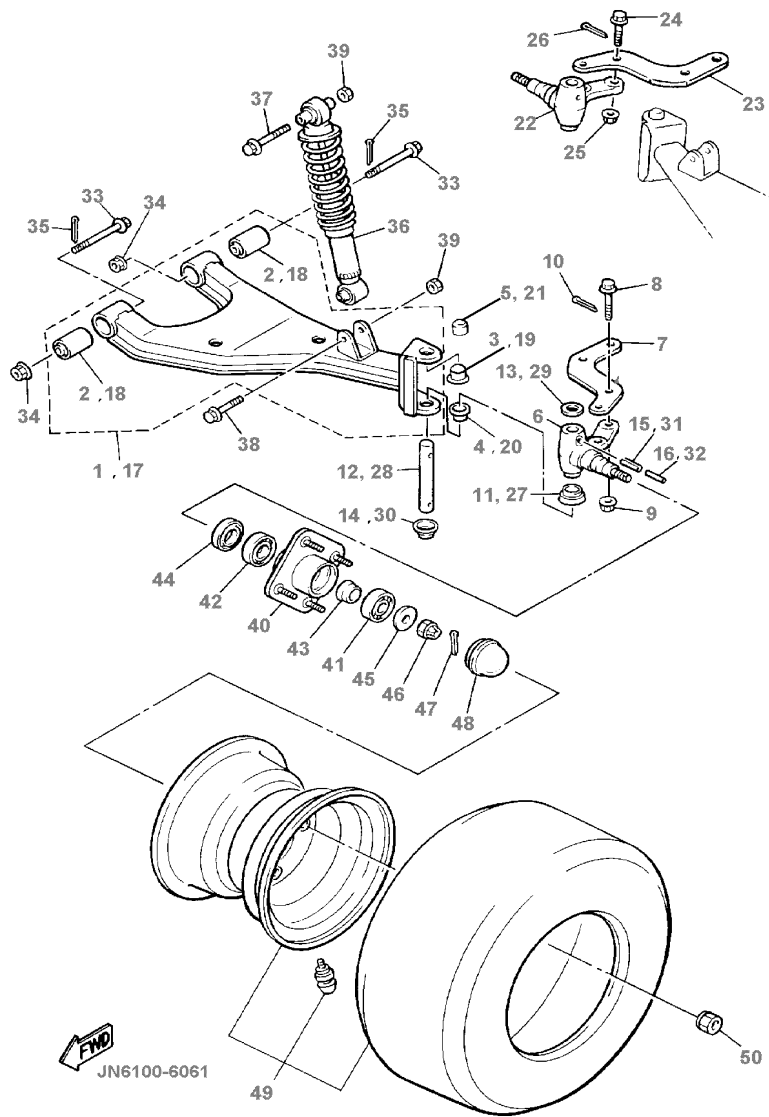


FIG. 3 FRONT SUSPENSION / WHEEL

REF NO.	PART NUMBER	DESCRIPTION	QTY	REMARKS
1	JN6-F3570-00-00	FRONT LOWER ARM, LEFT	1	
2	JN6-F3526-00-00	.BUSHING, ARM	1	
3	90384-15826-00	BUSH, BIMETAL	1	UR, F# JR1-204501~
4	90384-15825-00	BUSH, BIMETAL	1	UR, F# JR1-204501~
5	90334-19800-00	PLUG, STRAIGHT	1	UR, F# JR1-204501~
6	JN6-F3511-00-00	KNUCKLE, STEERING	1	
7	JN3-F3512-00-00	ARM, KNUCKLE	1	
8	95814-10040-00	BOLT, FLANGE	2	
9	95617-10200-00	NUT, U-FLANGE	2	
10	91490-25020-00	PIN, SPLIT	2	
11	J38-23527-00-00	SEAL, DUST 1	1	
12	J38-23516-00-00	PIN, STEERING KNUCKLE	1	
13	90201-156J2-00	WASHER, PLAIN	1	
14	J38-23528-00-00	SEAL, DUST 2	1	
15	91609-60028-00	PIN, SPRING	1	
16	91609-35028-00	PIN, SPRING	1	
17	JN6-F3580-00-00	FRONT LOWER ARM, RIGHT	1	
18	JN6-F3526-00-00	.BUSHING, ARM	1	
19	90384-15826-00	BUSH, BIMETAL	1	
20	90384-15825-00	BUSH, BIMETAL	1	
21	90386-19800-00	PLUG, STRAIGHT	1	
22	JN6-F3521-00-00	KNUCKLE, STEERING	1	
23	JN3-F3512-00-00	ARM, KNUCKLE	1	
24	95814-10040-00	BOLT, FLANGE	2	
25	95607-10200-00	NUT, U-FLANGE	2	
26	91401-25020-00	PIN, SPLIT	2	
27	J38-23527-00-00	SEAL, DUST 1	1	

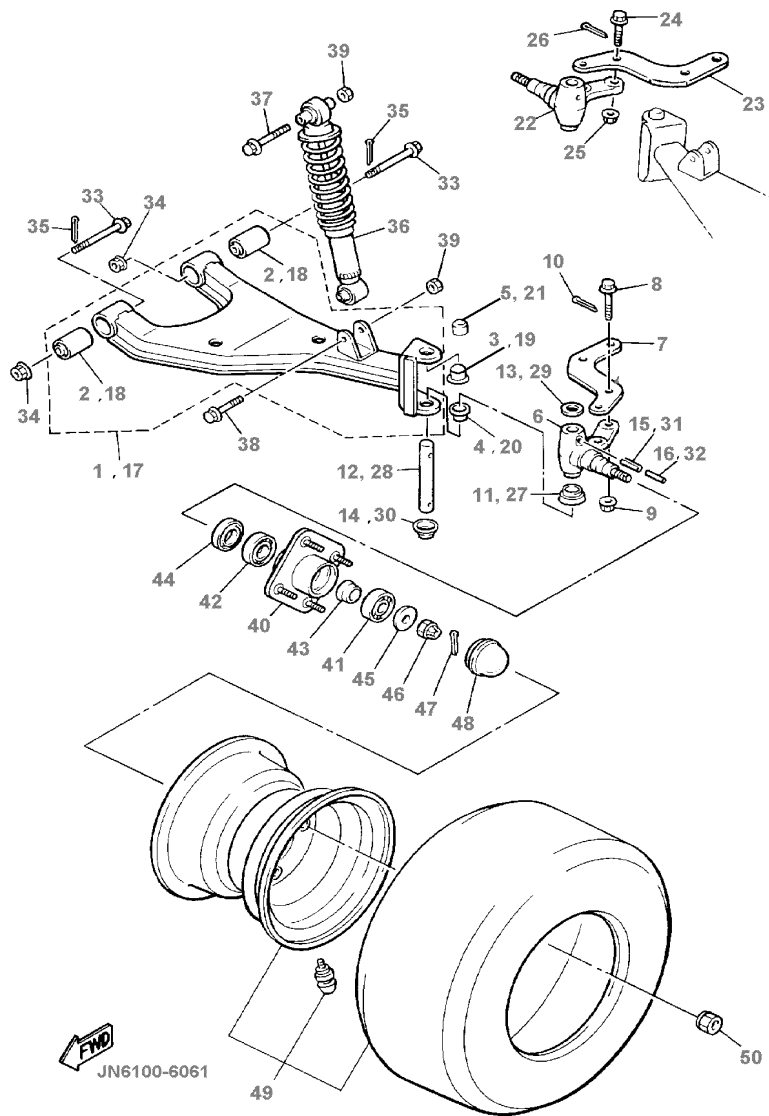


FIG. 3 FRONT SUSPENSION / WHEEL

REF NO.	PART NUMBER	DESCRIPTION	QTY	REMARKS
28	J38-23516-00-00	PIN, STEERING KNUCKLE	1	
29	90201-156J2-00	WASHER, PLAIN	1	
30	J38-23528-00-00	SEAL, DUST 2	1	
31	91609-60028-00	PIN, SPRING	1	
32	91609-35028-00	PIN, SPRING	1	
33	95817-10075-00	BOLT, FLANGE	4	
34	95607-10200-00	NUT, U-FLANGE	4	
35	91490-25020-00	PIN, SPLIT	4	
36	JN3-F3350-00-00	CUSHION ASSY.	2	
37	95817-10065-00	BOLT, FLANGE	2	
38	95817-10055-00	BOLT, FLANGE	2	
39	95607-10200-00	NUT, U-FLANGE	4	
40	JG5-WF511-00-00	HUB	2	
41	93306-204X0-00	BEARING	2	
42	93306-005Y3-00	BEARING	2	
43	90387-241M7-00	COLLAR	2	
44	93102-30083-00	SEAL, OIL	2	
45	90209-32271-00	WASHER	2	
46	95607-14100-00	NUT, U	2	
47	91490-25020-00	PIN, SPLIT	2	
48	JN6-F5118-00-00	COVER, HUB DUST	2	
49	JN6-F5100-11-00	FR. WHEEL ASSY	2	
50	90179-12262-00	NUT	8	

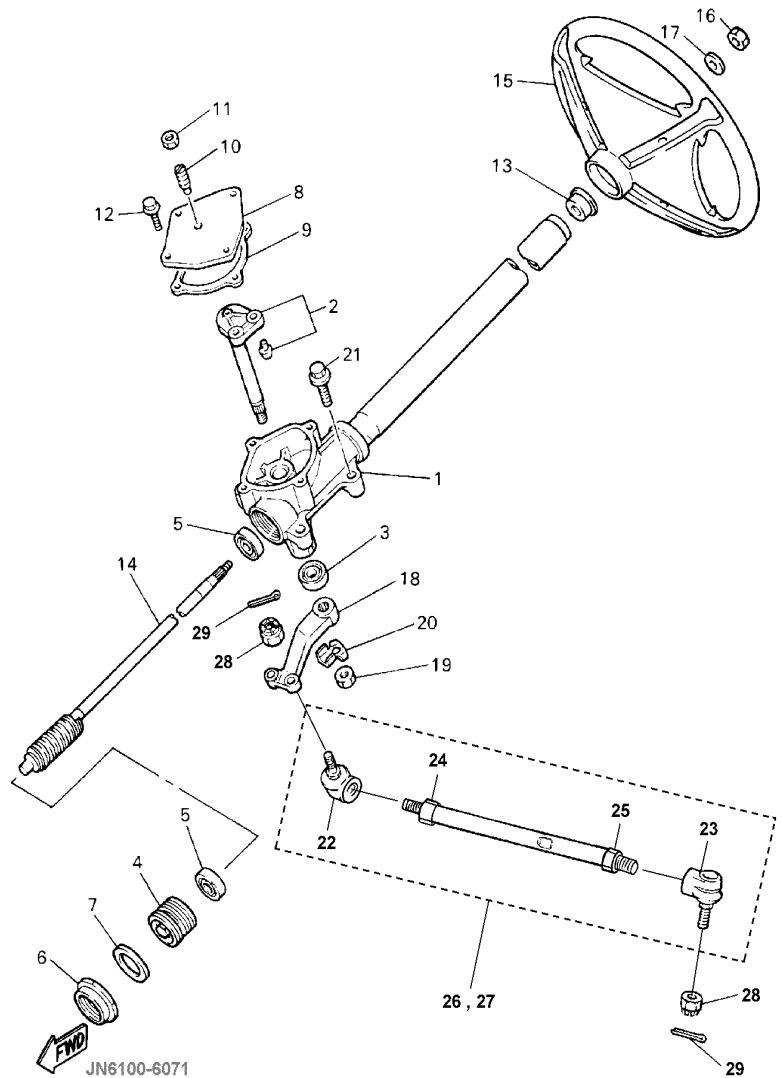


FIG. 4 STEERING

REF NO.	PART NUMBER	DESCRIPTION	QTY	REMARKS
1	JG5-F3811-00-00	COLUMN, STEERING	1	
2	J38-23816-00-00	ARM, PITMAN	1	
3	93102-22314-00	SEAL, OIL	1	
4	J55-F3876-00-00	BOLT	1	
5	93332-000Y2-00	BEARING	2	
6	J10-23877-00-00	NUT	1	
7	J10-23444-00-00	WASHER	1	
8	JN3-F3818-00-00	COVER, STEERING	1	
9	J38-23462-01-00	SEAL, STEERING	1	
10	J10-23459-00-00	BOLT	1	
11	90170-08024-00	NUT, HEX.	1	
12	95817-06020-00	BOLT, FLANGE	4	
13	JN3-F3814-00-00	HOLDER, HANDLE	1	
14	J10-23840-00-00	STEERING SHAFT	1	
15	JN3-F3838-00-00	WHEEL, STEERING	1	
16	95617-12200-00	NUT, SELF-LOCKING	1	
17	92907-12200-00	WASHER, PLAIN	1	
18	J38-23826-01-00	ARM, IDLER	1	
19	95707-16300-00	NUT, NYLON	1	
20	90215-16252-00	WASHER, TONGUE	1	
21	90105-100A4-00	BOLT, FLANGE	4	
22	JN6-F3841-00-00	UNIVERSAL JOINT	2	
23	JN6-F3845-00-00	UNIVERSAL JOINT	2	
24	95607-10200-00	NUT, (RH THREAD)	2	
25	90170-12054-00	NUT, (LH THREAD)	2	
26	JN6-F3830-11-00	TIE ROD ASSY, RIGHT	1	
27	JN3-F3850-11-00	TIE ROD ASSY, LEFT	1	

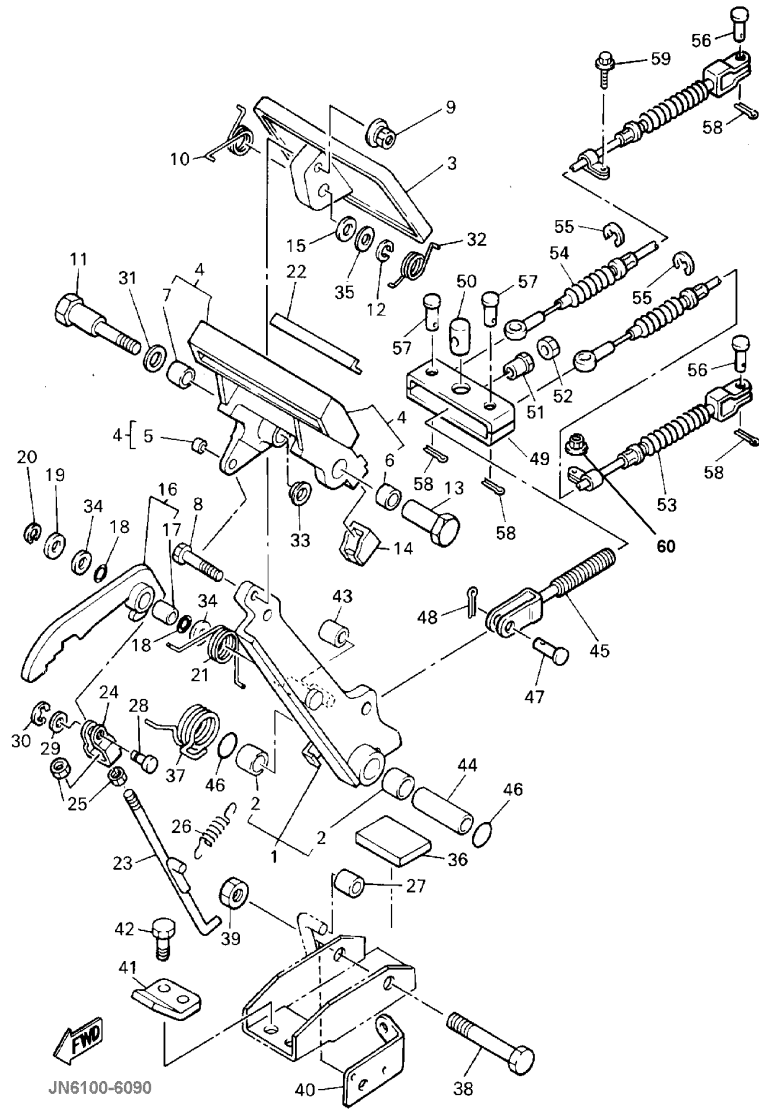


FIG. 5 BRAKE

REF NO.	PART NUMBER	DESCRIPTION	QTY	REMARKS
1	J46-27250-03-00	BRAKE ARM COMP	1	
2	90384-14080-00	.BUSH, BIMETAL FORMED	2	
3	J10-27211-00-00	PEDAL, BRAKE	1	
4	J17-25670-01-00	PARKING PEDAL COMP.	1	
5	90384-05163-00	.BUSH, BIMETAL	1	
6	90384-12164-00	.BUSH, BIMETAL	1	
7	90380-12051-00	.BUSH, SOLID	1	
8	90101-06555-00	BOLT, HEX.	1	
9	90179-06387-00	NUT	1	
10	90508-23542-00	SPRING,TORSION	1	
11	90109-08669-00	BOLT	1	
12	92907-08100-00	WASHER, SPRING	1	
13	90179-08378-00	NUT	1	
14	J17-25679-01-00	DAMPER	2	
15	92907-08200-00	WASHER, PLAIN	1	
16	J17-W2561-02-00	SECTOR, PARKING BRAKE	1	
17	90384-10162-00	.BUSH, BIMETAL	1	
18	J17-27221-00-00	SEAL, SHAFT	2	
19	92907-10600-00	WASHER, PLAIN	1	
20	99080-07600-00	CIRCLIP (E)	1	
21	90508-14548-00	SPRING, TORSION	1	
22	J17-25672-01-00	PAD, PARKING	1	
23	J17-27231-03-00	ROD, BRAKE	1	
24	J17-27232-00-00	END, ROD 1	1	
25	95317-06700-00	NUT, HEX.	2	
26	90506-08526-00	SPRING,TENSION	1	
27	J17-25673-00-00	DAMPER, BRAKE	1	

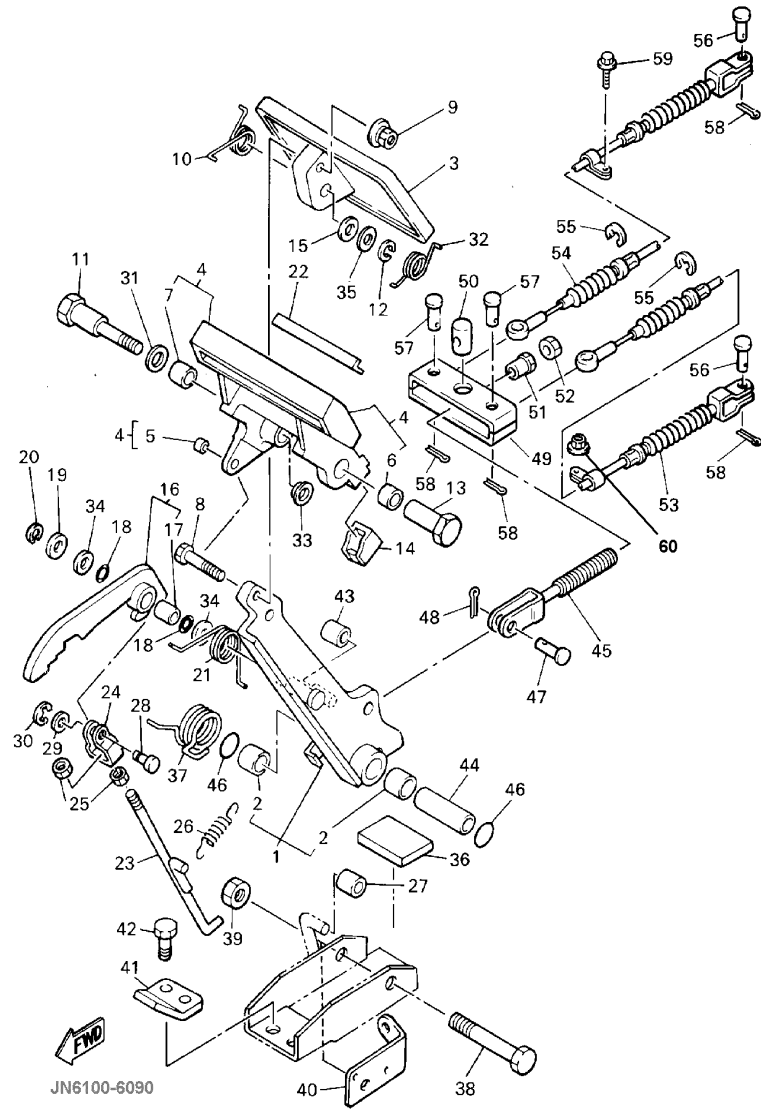
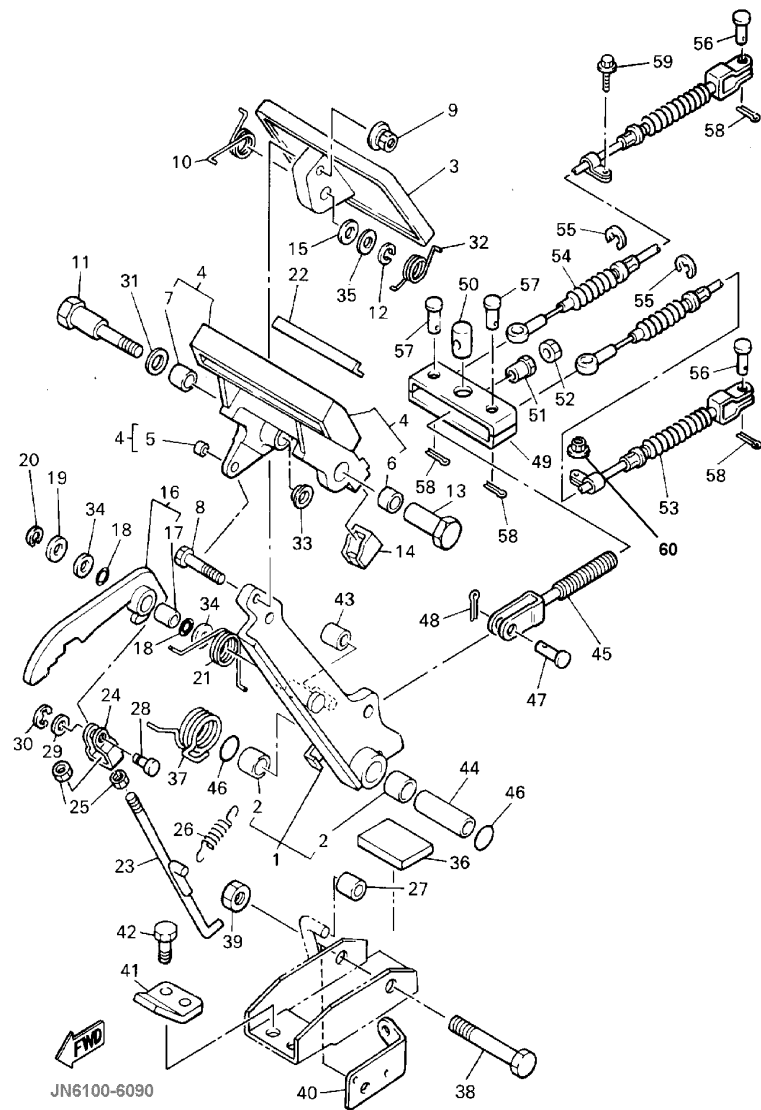


FIG. 5 BRAKE

REF NO.	PART NUMBER	DESCRIPTION	QTY	REMARKS
28	J17-27228-00-00	PIN, LINK JOINT	1	
29	92907-05600-00	WASHER, PLAIN	1	
30	99080-04600-00	CIRCLIP (E)	1	
31	90201-123F2-00	WASHER, PLAIN	1	
32	90508-26557-00	SPRING, TORSION	1	
33	90380-12105-00	BUSH, SOLID	1	
34	90201-104G8-00	WASHER, PLAIN	2	
35	J55-27226-00-00	WASHER, LINK	1	
36	JN3-F7245-00-00	PAD, BRAKE PEDAL	1	
37	90508-405A9-00	SPRING, TORSION	1	
38	90101-10447-00	BOLT, HEX.	1	
39	95617-10200-00	NUT, U-FLANGE	1	
40	J55-2252M-00-00	BRACKET, 3	1	
41	J17-27246-00-00	NAIL, BRAKE	1	
42	95807-08020-00	BOLT, FLANGE	2	
43	J17-25673-00-00	DAMPER, BRAKE	1	
44	90387-107F8-00	COLLAR	1	
45	JN6-F5685-00-00	ROD	1	
46	93210-132A8-00	O-RING	2	
47	91701-10022-00	PIN	1	
48	91490-30020-00	PIN, SPLIT	1	
49	JN6-F5681-00-00	EQUALIZER, BRAKE	1	
50	90249-14129-00	PIN	1	
51	90179-08261-00	NUT	1	
52	95317-08700-00	NUT, HEX.	1	
53	JN6-F6341-00-00	WIRE, BRAKE 1	1	
54	JF2-F6351-10-00	WIRE, BRAKE 2	1	



JN6100-6090

FIG. 5 BRAKE

REF NO.	PART NUMBER	DESCRIPTION	QTY	REMARKS
55	99001-09600-00	CIRCLIP (E)	4	
56	91701-08018-00	PIN	2	
57	91701-08026-00	PIN	2	
58	91490-25020-00	PIN,SPLIT	4	
59	95817-06016-00	BOLT, FLANGE	2	
60	95607-08200-00	NUT, U-FLANGE	1	

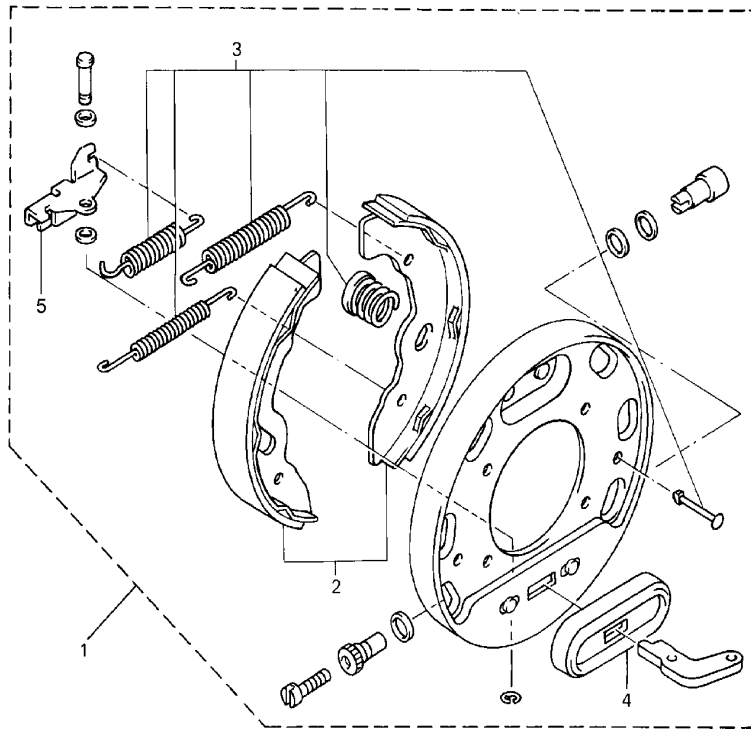


FIG. 6 BRAKE 2

REF NO.	PART NUMBER	DESCRIPTION	QTY	REMARKS
1	JN6-F7280-00-00	BACKING PLATE, (RH)	1	(FOR RIGHT WHEEL ONLY)
2	JN3-F5340-00-00	.SHOE, BRAKE SET	1	(FOR ONE WHEEL)
3	JG5-F819G-00-00	.REPAIR PARTS KIT	1	
4	JG5-F7286-00-00	.COVER, DUST	1	
5	JN6-F722F-00-00	.LEVER ADJUSTER (RH)	1	

 JN4100-5061

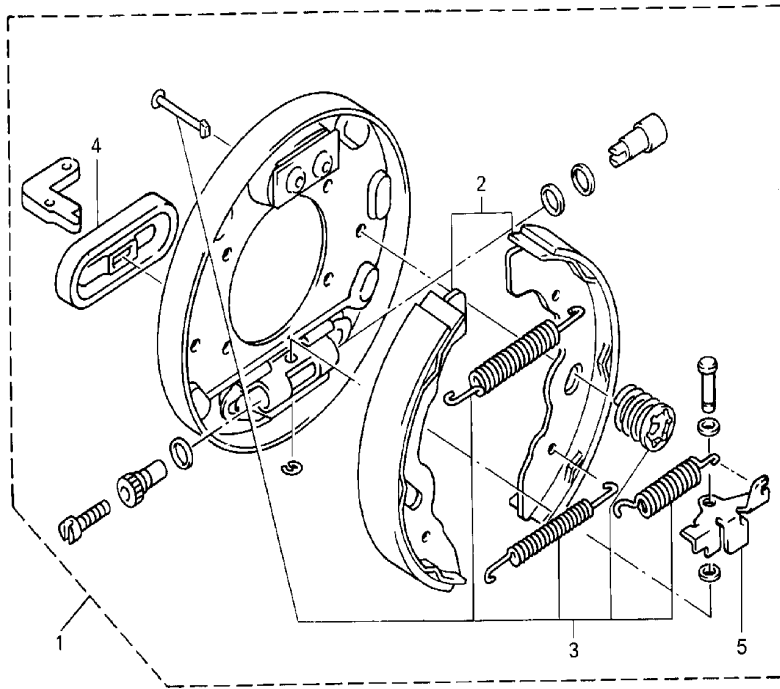
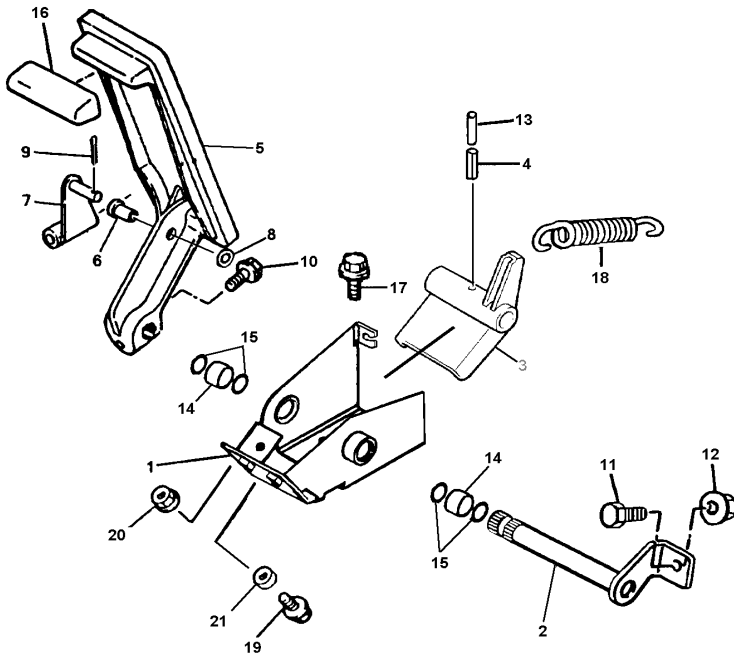


FIG. 7 BRAKE 3

REF NO.	PART NUMBER	DESCRIPTION	QTY	REMARKS
1	JN6-F7290-00-00	BACKING PLATE, (LH)	1	(FOR LEFT WHEEL ONLY)
2	JN3-F5330-00-00	.SHOE, BRAKE SET	1	(FOR ONE WHEEL)
3	JG5-F819G-00-00	.REPAIR PARTS KIT	1	
4	JG5-F7286-00-00	.COVER, DUST	1	
5	JN6-F722E-00-00	.LEVER ADJUSTER (LH)	1	

FIG. 8 ACCELERATOR



 JN8100-6031

REF NO.	PART NUMBER	DESCRIPTION	QTY	REMARKS
1	JN6-F7874-01-00	BRACKET, PEDAL	1	
2	J17-27853-01-00	SHAFT, PEDAL	1	
3	J22-27872-00-00	ARM, ACCELERATOR	1	
4	91609-60028-00	PIN, SPRING	1	
5	JF3-27871-01-00	PEDAL, ACCELERATOR	1	
6	90381-06033-00	BUSH, SOLID	1	
7	J14-27815-00-00	LEVER, CRANK	1	
8	92907-06600-00	WASHER, PLAIN	1	
9	91401-20015-00	PIN, SPLIT	1	
10	95817-06025-00	BOLT, FLANGE	1	
11	90106-08040-00	BOLT, RD. HEX	1	
12	95707-08500-00	NUT, FLANGE	1	
13	91609-35028-00	PIN, SPRING	1	
14	90384-14080-00	BUSH, BIMETAL	2	
15	93210-14104-00	O-RING	4	
16	JN3-F7854-00-00	COVER, PEDAL	1	
17	95817-08016-00	BOLT, HEX. H	3	
18	90506-26282-00	SPRING, TENSION	1	
19	95817-06025-00	BOLT, FLANGE	1	
20	95707-06500-00	NUT, FLANGE	1	
21	90387-068T4-00	COLLAR	1	

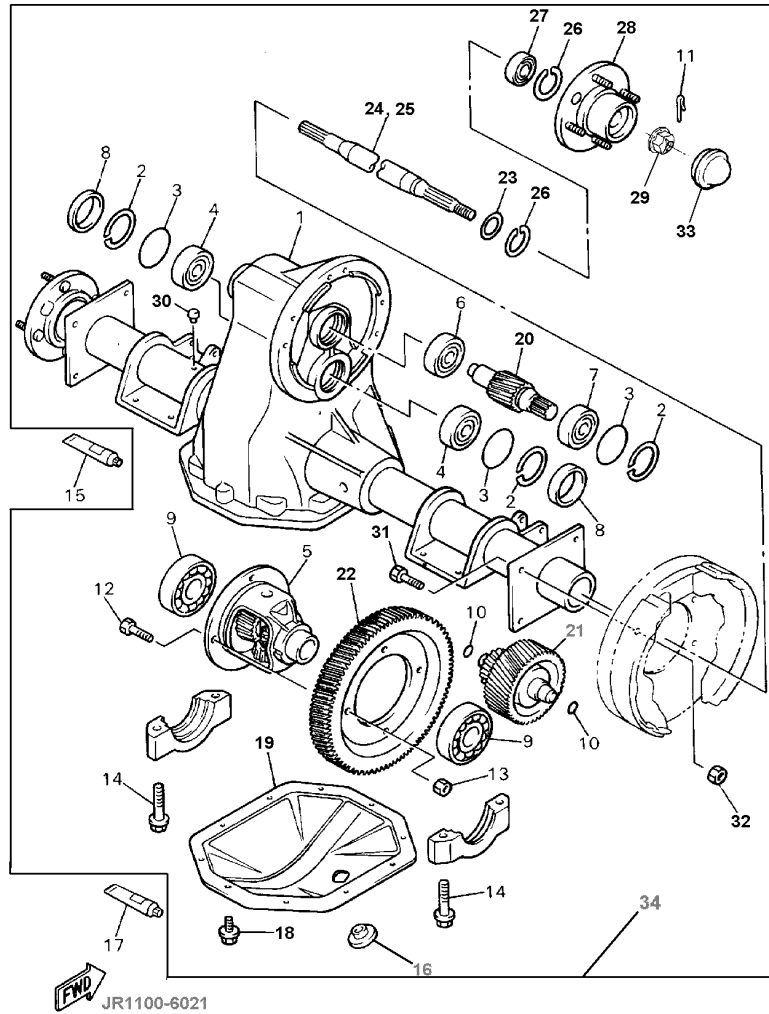


FIG. 9 TRANSAXLE 1

REF NO.	PART NUMBER	DESCRIPTION	QTY	REMARKS
1	JR1-G6310-00-00	CASE ASSY.	1	
2	93420-50804-00	CIRCLIP	3	
3	93210-478B8-00	RING	3	
4	93306-303Y6-00	BEARING	2	
5	JN6-G6410-00-00	DIFFERENTIAL ASSY.	1	
6	93306-203X1-00	BEARING	1	
7	93306-005Y1-00	BEARING	1	
8	JH7-G3396-00-00	PLUG, BLIND	2	
9	93306-007Y0-00	BEARING	2	
10	93210-148B9-00	O-RING	2	
11	91490-25030-00	PIN, SPLIT	2	
12	90101-10854-00	BOLT, HEX.	4	
13	90170-10840-00	NUT, HEX.	4	
14	90105-10840-00	BOLT, FLANGE	4	
15	ACC-QUICK-GS-KT	SEALANT	1	
16	JN3-G6432-00-00	STOPPER	1	
17	ACC-QUICK-GS-KT	SEALANT	1	
18	90101-08856-00	BOLT, HEX.	10	
19	JR1-G6312-00-00	CASE, TRANSMISSION	1	
20	JH7-G6321-00-00	SHAFT, INPUT	1	
21	JH7-G6350-00-00	COUNTER GEAR	1	
22	JH7-G6421-00-00	GEAR, RING	1	
23	93101-24822-00	SEAL, OIL	2	
24	JR1-G6512-00-00	SHAFT, RR. AXLE, RIGHT	1	
25	JR1-G6511-00-00	SHAFT, RR. AXLE, LEFT	1	
26	93420-44805-00	CIRCLIP	4	

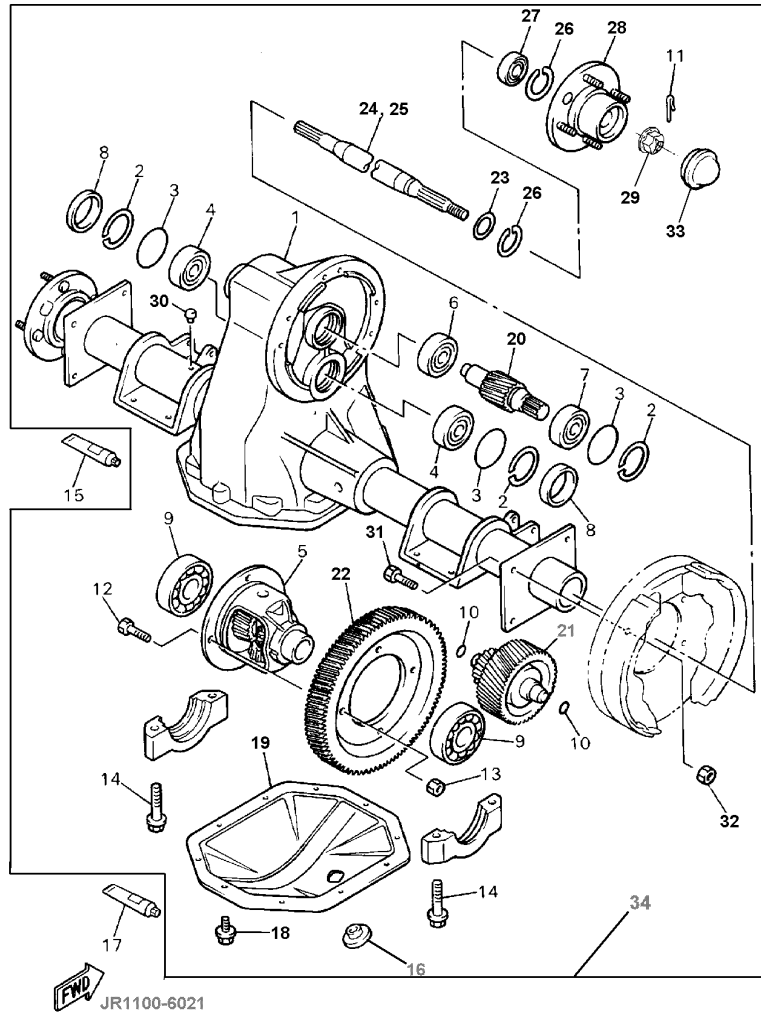
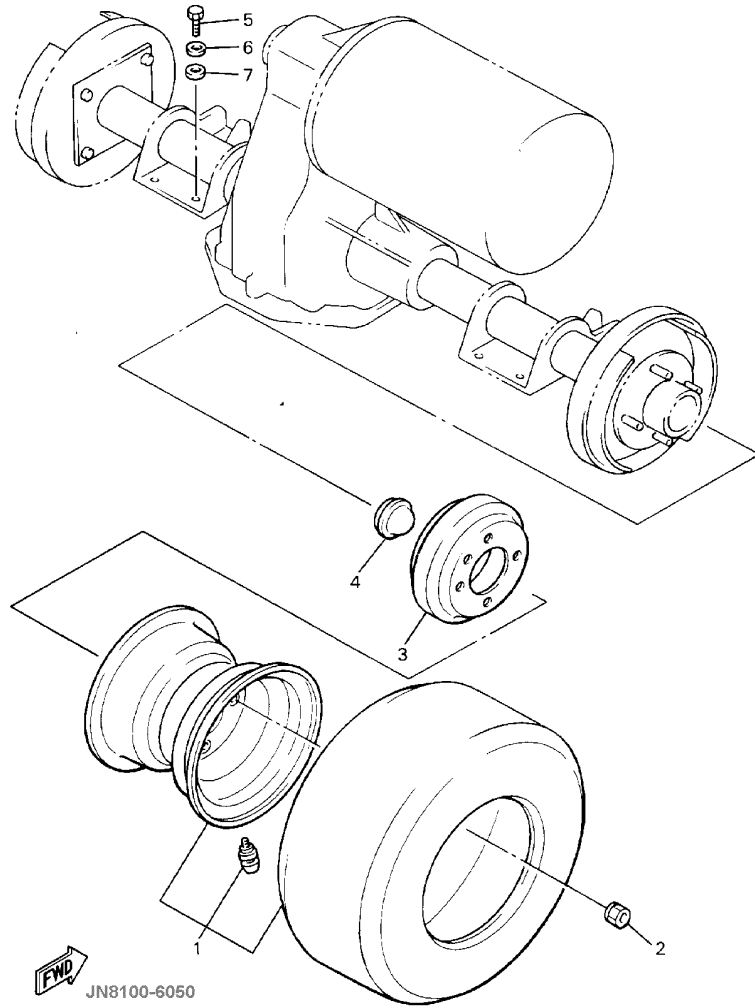


FIG. 9 TRANSAXLE 1

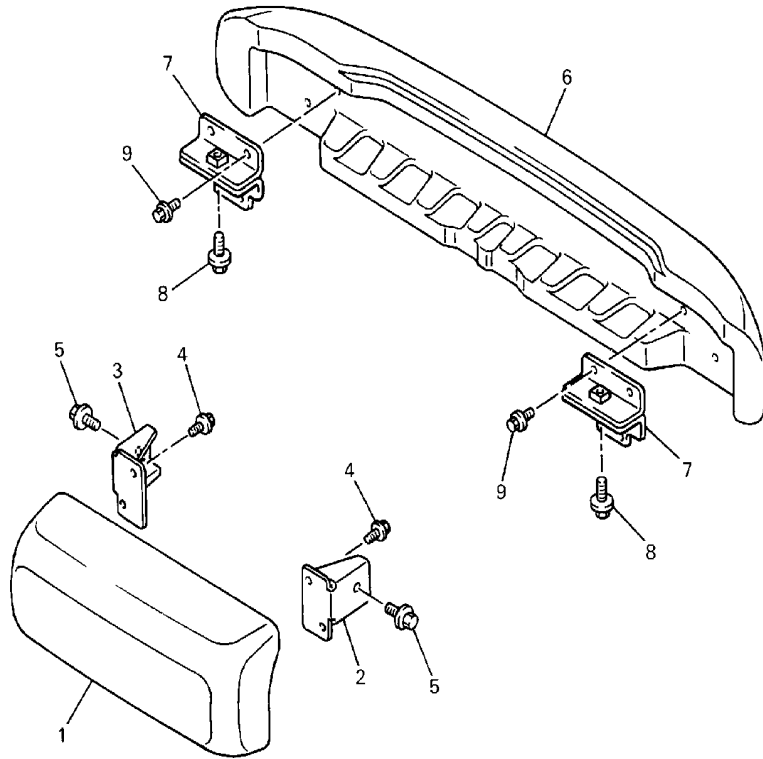
REF NO.	PART NUMBER	DESCRIPTION	QTY	REMARKS
27	93306-004X5-00	BEARING	2	
28	JN3-G6514-00-00	HUB, RR. AXLE	2	
29	90185-16833-00	NUT, SELF-LOCKING	2	
30	JH7-G5619-00-00	CAP	1	
31	90101-08855-00	BOLT, HEX.	8	
32	90170-08841-00	NUT, HEX.	8	
33	JN6-F5118-00-00	COVER, HUB DUST	2	
34	JR1-G6300-01-00	TRANSAXLE ASSEMBLY	1	

FIG. 10 REAR AXLE MOUNT / WHEEL



REF NO.	PART NUMBER	DESCRIPTION	QTY	REMARKS
1	JN6-F5100-11-00	REAR WHEEL ASSY.	2	
2	90179-12262-00	NUT	8	
3	J55-G6521-00-00	DRUM	2	
4	JN6-F5118-00-00	COVER, HUB DUST	2	
5	97017-10020-00	BOLT, HEX HEAD	8	
6	92907-10100-00	WASHER	8	
7	92907-10600-00	WASHER	8	

FIG. 11 BUMPER



REF NO.	PART NUMBER	DESCRIPTION	QTY	REMARKS
1	JN3-K7510-02-00	FRONT BUMPER COMP.	1	
2	JN3-K8164-00-00	STAY, FR. BUMPER	1	
3	JN3-K8165-00-00	STAY, FR. BUMPER	1	
4	95817-06016-00	BOLT, FLANGE	4	
5	95817-08016-00	BOLT, FLANGE	2	
6	JN3-K7540-00-00	REAR BUMPER	1	
7	JN3-K8174-00-00	STAY, RR. BUMPER	2	
8	95817-10020-00	BOLT, FLANGE	2	
9	95817-06016-00	BOLT, FLANGE	4	

 JN6100-6170

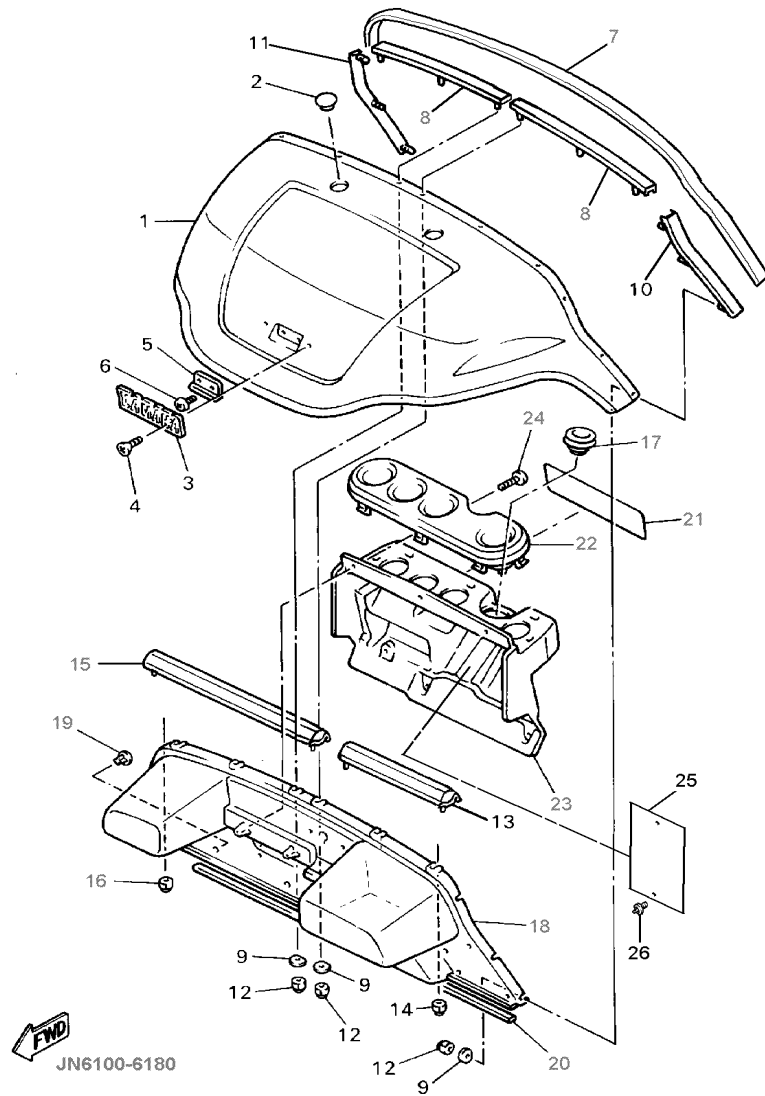


FIG. 12 BODY

REF NO.	PART NUMBER	DESCRIPTION	QTY	REMARKS
1	JN3-K8115-00-00	COWL, FRONT	1	IVORY
	JN3-K8115-10-00	COWL, FRONT	1	RED
	JN3-K8115-30-00	COWL, FRONT	1	TEAL
	JN3-K8115-50-00	COWL, FRONT	1	HUNTER GRN
2	JN3-K818E-00-00	CAP, PROTECTOR	2	W/O SUNTOP
3	JN6-F4161-01-00	EMBLEM, 1	1	
4	90162-04002-00	SCREW, OVAL C	2	
5	JF2-K811G-00-00	BOLT, COWL FITTING	1	
6	98980-06016-00	SCREW, BINDING	2	
7	JF2-K811V-00-00	PROTECTOR, 1	1	
8	JF2-K8261-02-00	PLATE, BODY PROTECTOR	2	
9	JN3-K8117-00-00	PLATE, 1	12	
10	JF2-K8262-01-00	PLATE, BODY PROTECTOR	1	
11	JF2-K8263-01-00	PLATE, BODY PROTECTOR	1	
12	90185-06836-00	NUT, SELF-LOCKING	12	
13	JN6-K8264-00-00	PLATE, BODY PROTECTOR	1	
14	95607-06200-00	NUT, U-FLANGE	2	
15	JN6-K8265-00-00	PLATE, BODY PROTECTOR	1	
16	95607-06200-00	NUT, U-FLANGE	2	
17	JN3-K8273-00-00	COVER, HOLE 1	1	
18	JF2-K8114-02-00	PANEL, FRONT	1	
19	90269-08066-00	RIVET	3	
20	JN3-K815G-00-00	SEAL, FRONT STORAGE	1	
21	JR1-K7768-00-00	LABEL, WARNING 8	1	UR, FOR USA SEE NOTE "A"
	JR1-K7768-10-00	LABEL, WARNING 8	1	UR, FOR CAN SEE NOTE "A"
	JR1-K7768-20-00	LABEL, WARNING 8	1	UR, FOR EUR SEE NOTE "A"

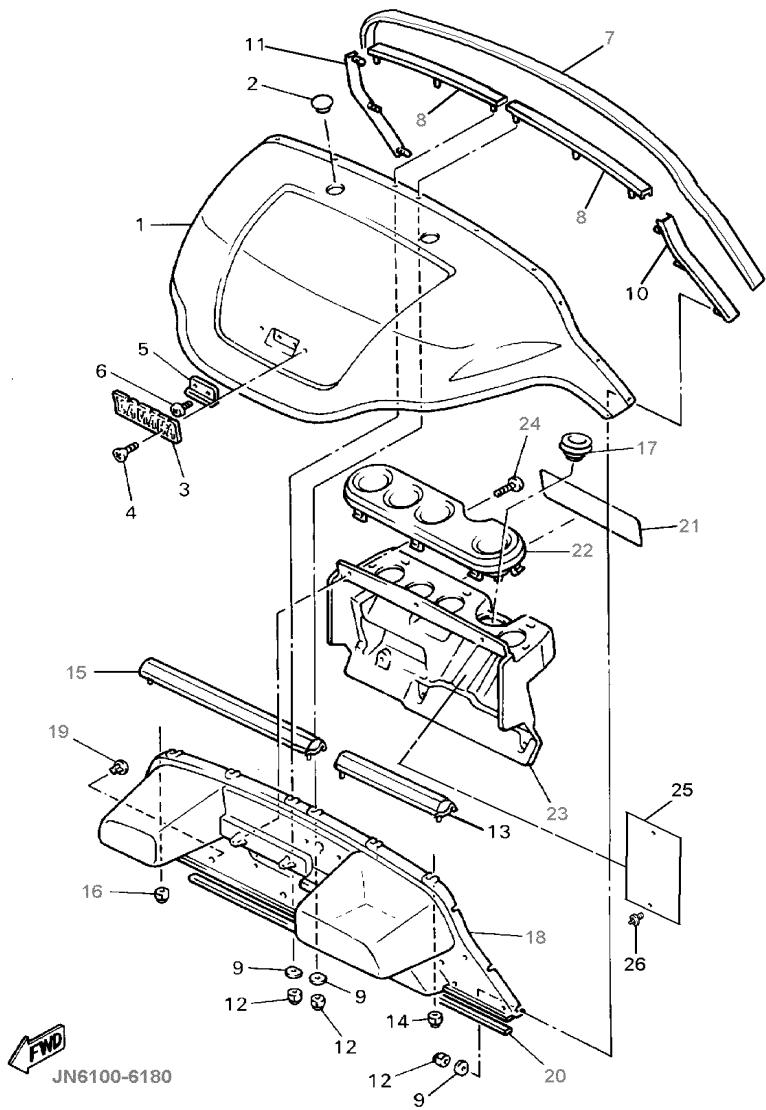
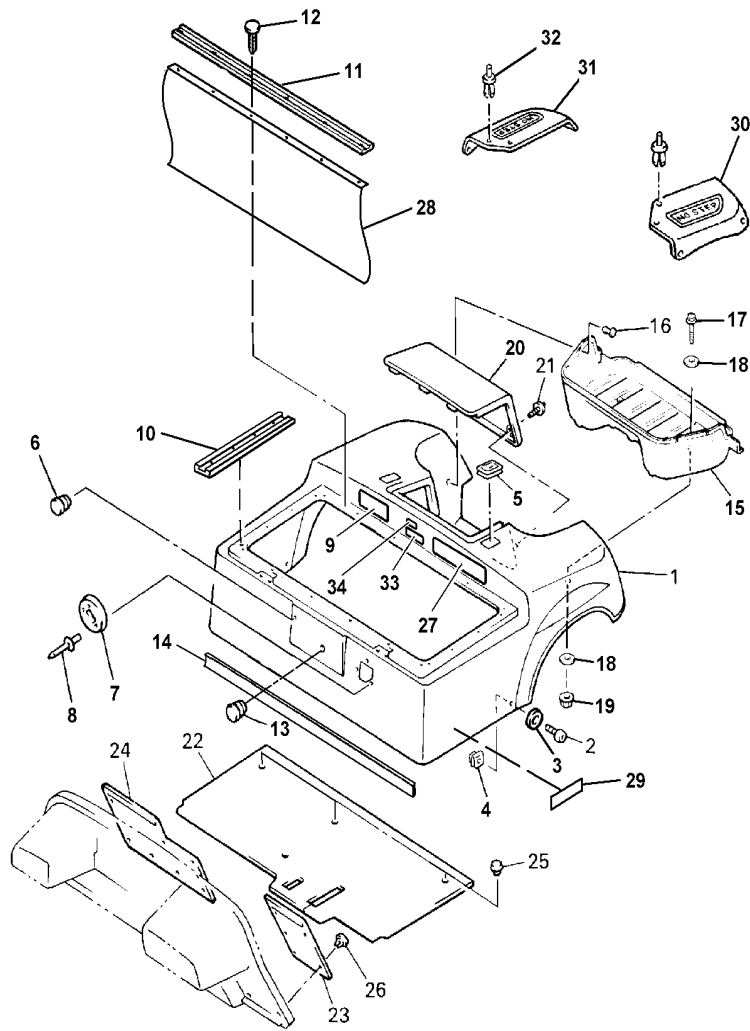


FIG. 12 BODY

REF NO.	PART NUMBER	DESCRIPTION	QTY	REMARKS
22	JN3-K835E-00-00	HOLDER, BEVERAGE	1	
23	JR1-K835G-00-00	HOUSING, HOLDER	1	SEE NOTE "A"
24	97707-60130-00	SCREW, PAN HEAD	6	
25	JN6-K8182-00-00	PLATE, 2	1	
26	90267-63047-00	RIVET, BLIND	2	

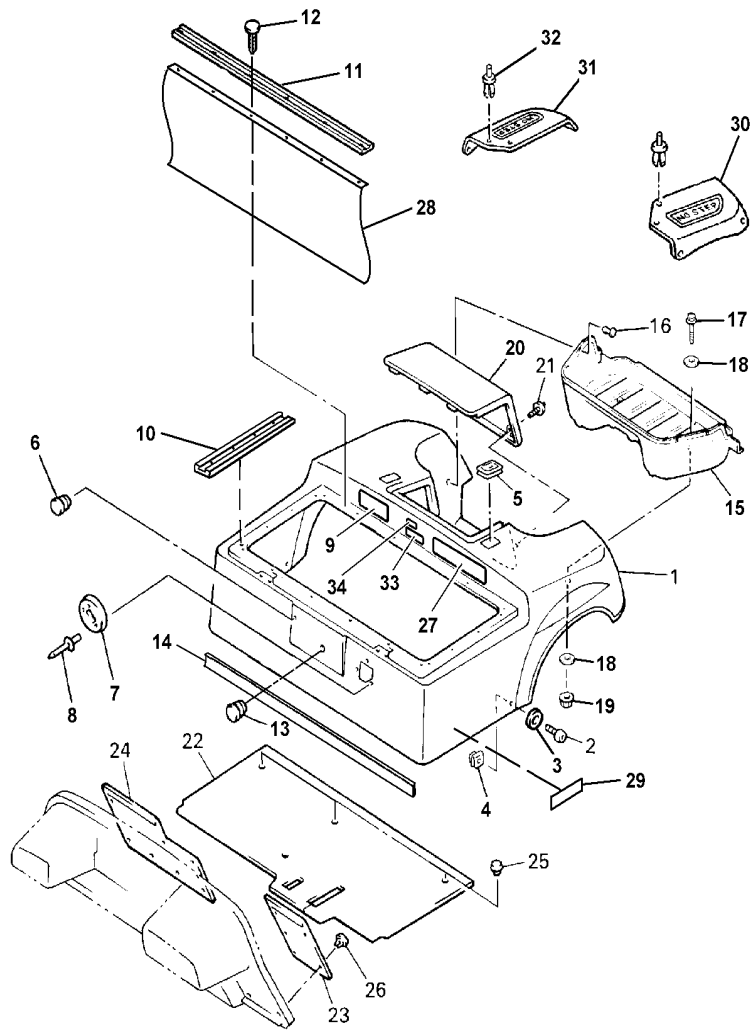
NOTE "A": When replacing "Housing Holder JR1-K835G-00-00" you must also replace "Label Warning 8 JR1-K7768-**-00".



 JR1100-6033

FIG. 13 BODY 2

REF NO.	PART NUMBER	DESCRIPTION	QTY	REMARKS
1	JN4-K8142-00-00	PANEL, REAR BODY	1	IVORY SEE NOTE "A"
	JN4-K8142-10-00	PANEL, REAR BODY	1	RED SEE NOTE "A"
	JN4-K8142-30-00	PANEL, REAR BODY	1	TEAL SEE NOTE "A"
	JN4-K8142-50-00	PANEL, REAR BODY	1	HUNTER GRN SEE NOTE "A"
2	90110-06200-00	BOLT, HEX. SOCKET	2	
3	90201-068H0-00	WASHER, PLAIN	2	
4	90183-06811-00	NUT, SPRING	2	
5	JN3-K8363-00-00	PROTECTOR	2	
6	90338-11831-00	PLUG	1	
7	JN4-K827A-00-00	GUIDE, 1	1	
8	90267-60840-00	RIVET, BLIND	3	
9	JR1-K7765-00-00	LABEL, WARNING 5	1	SEE NOTE "A"
10	JN3-K8425-00-00	SEAL, SEAT	2	
11	JN3-K842A-00-00	SEAL, SEAT 2	2	
12	90338-05834-00	PLUG	20	
13	90338-25836-00	PLUG	1	
14	JN6-K824E-00-00	TRIM, REAR BODY	1	
15	JF2-K8237-00-00	COVER, REAR FLOOR	1	
16	90269-08069-00	RIVET	7	
17	90101-06876-00	BOLT, HEX. W/WASHER	2	UR, F# JR1-000601~
18	90201-068G7-00	WASHER, PLAIN	4	UR, F# JR1-000601~
19	90185-06836-00	NUT, SELF-LOCK	2	UR, F# JR1-000601~
20	JN3-K8151-00-00	PANEL, INSPECTION	1	
21	90267-36853-00	RIVET	2	



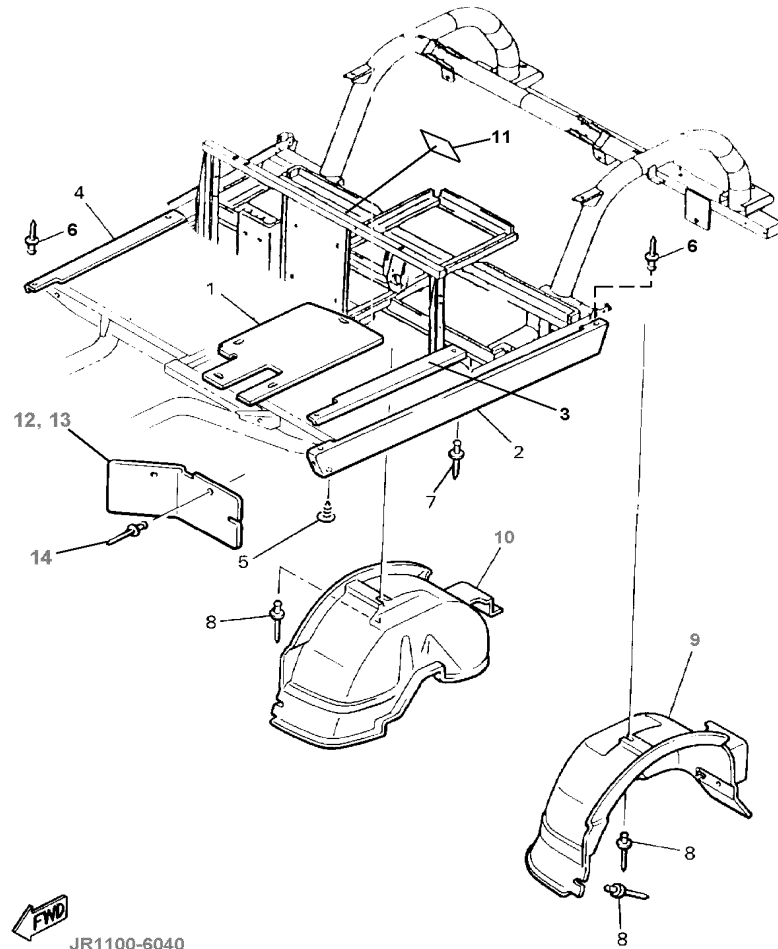
 JR1100-6033

FIG. 13 BODY 2

REF NO.	PART NUMBER	DESCRIPTION	QTY	REMARKS
22	JN6-K8233-00-00	MAT, MAIN FLOOR 3	1	
23	JN6-K8231-00-00	MAT, MAIN FLOOR 1	1	
24	JN6-K8232-00-00	MAT, MAIN FLOOR 2	1	
25	90269-08813-00	RIVET	4	
26	90267-63047-00	RIVET,BLIND	9	
27	JN4-K8297-10-00	PLATE, CAUTION 1	1	SEE NOTE "A"
28	JN8-K836A-00-00	PROTECTOR 2	1	F# JR1-202001~
29	JR1-K8291-00-00	EMBLEM, 1	2	
30	JN3-K8243-00-00	MAT, BODY SIDE LEFT	1	F# JR1-100101~
31	JN3-K8244-00-00	MAT, BODY SIDE RIGHT	1	F# JR1-100101~
32	90269-07810-00	RIVET	10	F# JR1-100101~
33	JN8-F4236-01-00	MARK 2	1	F# JR1-000101~ JR1-002300
	JN8-F4236-10-00	MARK 2	1	F# JR1-100101~ JR1-105600
	JN8-F4236-20-00	MARK 2	1	F# JR1-200101~ JR1-205100
	JN8-F4236-30-00	MARK 2	1	F# JR1-300101~ JR1-306500
	JN8-F4236-40-00	MARK 2	1	F# JR1-400101~
34	JN6-F4239-00-00	MARK 5	1	

NOTE "A": When replacing "Panel Rear Body JN4-K8142-**-00" you must also replace "Label Warning 5 JR1-K7765-00-00", and "Plate Caution 1 JN4-K8297-10-00".

FIG. 14 BODY FITTING



REF NO.	PART NUMBER	DESCRIPTION	QTY	REMARKS
1	JN6-K8271-00-00	SERVICE LID	1	
2	JF2-K818A-00-00	PROTECTOR, SIDE	2	
3	JF2-K8215-10-00	PLATE, SIDE TRIM	1	
4	JF2-K821F-10-00	PLATE, SIDE TRIM	1	
5	90338-05829-00	PLUG	4	
6	90267-48154-00	RIVET, BLIND	6	
7	90267-48101-00	RIVET, BLIND	4	
8	90267-48086-00	RIVET, BLIND	4	
9	JF2-K8191-00-00	PANEL, REAR FENDER	1	
10	JF2-K8192-00-00	PANEL, REAR FENDER	1	
11	JR1-K8298-10-00	PLATE, CAUTION 2	1	UR, USA SEE NOTE "A"
	JR1-K8298-20-00	PLATE, CAUTION 2	1	UR, CAN, EUR SEE NOTE "A"
12	JF2-K8187-00-00	FLAP, FRONT FENDER LEFT	1	F# JR1-200101~
13	JF2-K8189-00-00	FLAP, FRONT FENDER RIGHT	1	F# JR1-200101~
14	90267-48831-00	RIVET, BLIND	4	F# JR1-200101~

NOTE "A": When replacing "Frame Comp. JR1-F2501-02-00" you must also replace "Plate Caution 2 JR1-K8298-**-00".

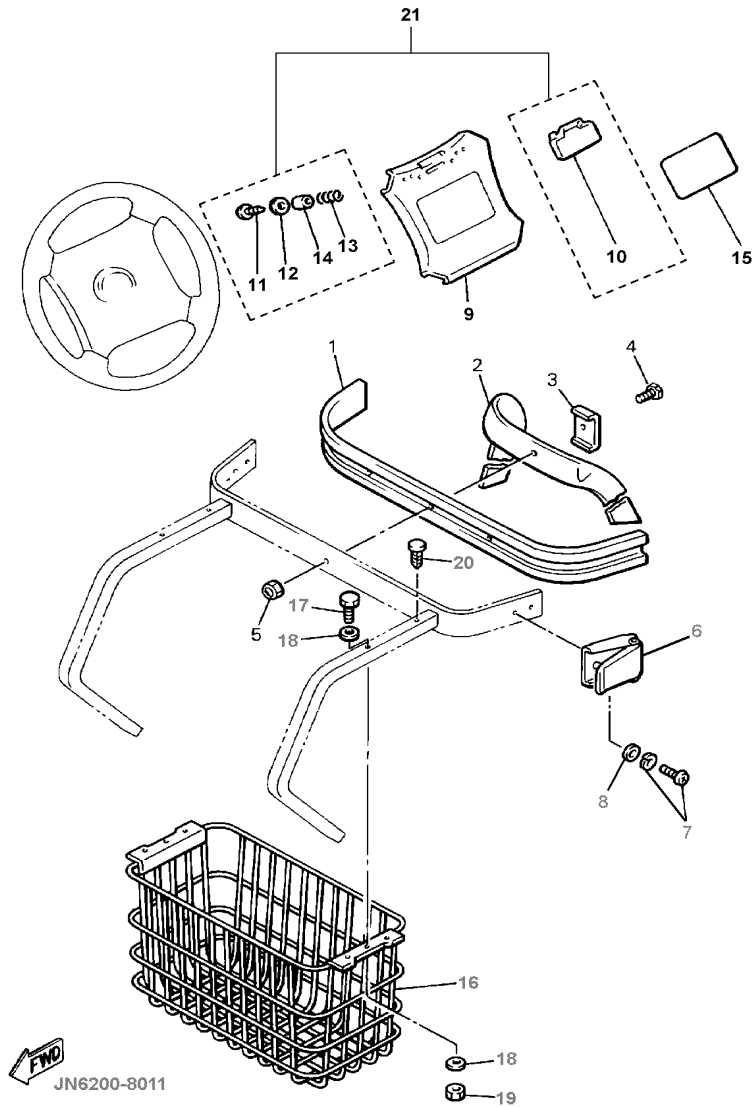


FIG. 15 CARRIER

REF NO.	PART NUMBER	DESCRIPTION	QTY	REMARKS
1	JF2-K8356-00-00	PAD, BAG SUPPORT	1	
2	JF2-K8355-00-00	BAND	1	
3	J38-78367-00-00	PLATE, ANCHOR	1	
4	90101-06865-00	BOLT, HEX.	1	
5	90185-06836-00	NUT, SELF LOCKING	1	
6	JN6-K8380-00-00	LOCK ASSY.	2	
7	90159-06845-00	SCREW, WITH WASHER	4	
8	9299R-06200-00	WASHER, PLAIN	4	
9	JN3-K8357-00-00	HOLDER, 1	1	SEE NOTE "A"
10	JN6-K8358-00-00	HOLDER, 2	1	
11	97707-40525-00	SCREW, PAN HEAD	2	
12	90201-044H9-00	WASHER, PLAIN	2	
13	90502-10013-00	SPRING, CONICAL	2	
14	90387-046N7-00	COLLAR	2	
15	JN3-K7762-01-00	LABEL, WARNING 2	1	UR, FOR USA SEE NOTE "A"
	JN3-K7762-10-00	LABEL, WARNING 2	1	UR, FOR CAN SEE NOTE "A"
	JN3-K7762-20-00	LABEL, WARNING 2	1	UR, FOR EUR SEE NOTE "A"
16	JN3-K8340-00-00	LUGGAGE RACK	1	
17	90111-08803-00	BOLT, HEX. SOCKET	2	
18	90201-08103-00	WASHER, PLAIN	4	
19	90185-08832-00	NUT, SELF-LOCKING	2	
20	90338-09828-00	PLUG	2	
21	JN6-K8358-00-KT	SCORECARD HOLDER KIT	1	SEE NOTE "B"

NOTE "A": When replacing "Holder 1 JN3-K8557-00-00" you must also replace "Label Warning 2 JN3-K7762-*-*-00".

NOTE "B": Includes 10, 11, 12, 13, 14

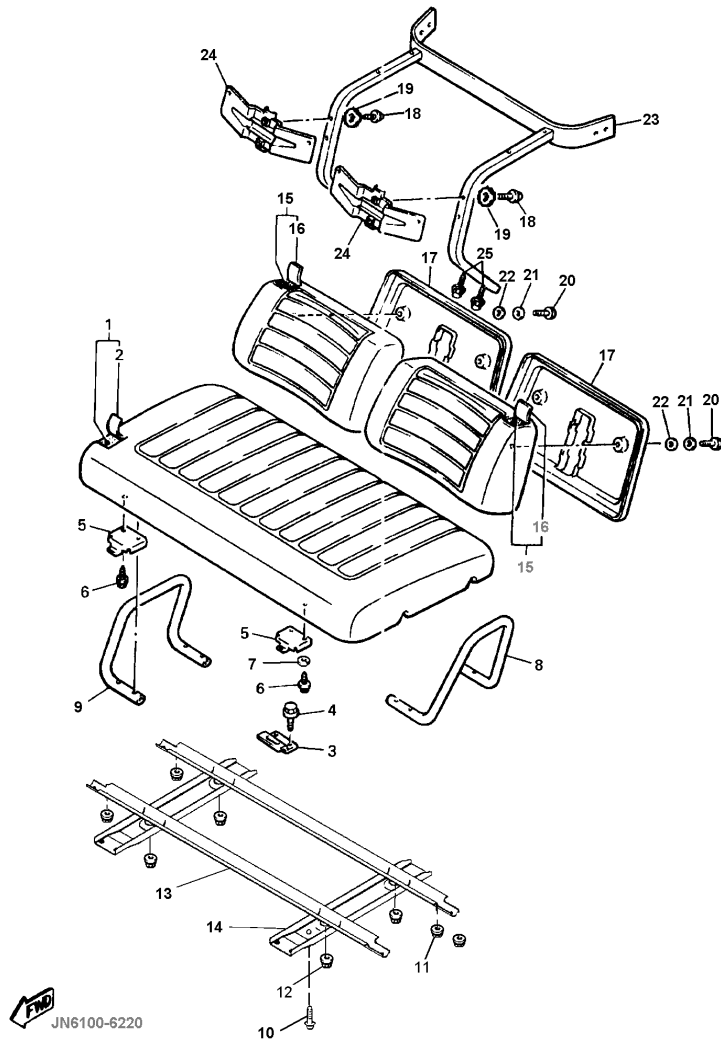


FIG. 16 SEAT

REF NO.	PART NUMBER	DESCRIPTION	QTY	REMARKS
1	JN6-K8401-10-00	CUSHION SEAT	1	UR, F# JR1-300101~
2	JN6-K8404-09-00	.COVER, SEAT	1	UR, F# ~JR1-306500
	JN6-K8404-10-00	.COVER, SEAT	1	UR, F# JR1-400101~
3	JF2-K8427-00-00	HINGE, SEAT FEMALE	2	
4	90105-06903-00	BOLT, FLANGE	4	
5	JN3-K8426-01-00	HINGE, SEAT MALE	2	UR, F# JR1-202001~
6	97395-05012-00	BOLT HEX. HEAD	4	F# ~JR1-202000
	90111-06810-00	BOLT, BUTTON	4	F# JR1-202001~
7	92990-05100-00	WASHER, LOCK	4	F# ~JR1-202000
	90204-06870-00	WASHER, LOCK	4	F# JR1-202001~
8	JN3-K8361-00-00	ARM REST 1	1	
9	JN6-K8362-00-00	ARMREST 2	1	
10	90167-04815-00	SCREW, P/H TAPPING	4	
11	90185-08839-00	NUT, SELF LOCKING	8	
12	95617-08200-00	NUT, U-FLANGE	4	
13	JN6-K8121-00-00	REINFORCEMENT 1	2	
14	JN6-K8122-01-00	REINFORCEMENT 2	2	UR, SEE NOTE "A" F# JR1-202001~
15	JN3-K8402-00-00	BACK, SEAT SUB.	2	
16	JN3-K841G-09-00	.COVER, SEAT BACK 2	1	
17	JN3-K8413-00-00	COVER, SEAT BACK	2	
18	90119-08820-00	BOLT, HEX. W/WASHER	4	
19	90201-098J4-00	WASHER, PLAIN	4	
20	95880-06025-00	BOLT, FLANGE	4	
21	90201-068G0-00	WASHER, PLAIN	4	

NOTE "A": For early units up to and including F# JR1-202000, you must also use REF Numbers 5 (JN3-K8426-01-00, Hinge, Seat Male), 6 (90111-06810-00, Bolt Button) and 7 (90204-06870-00, Washer, Lock).

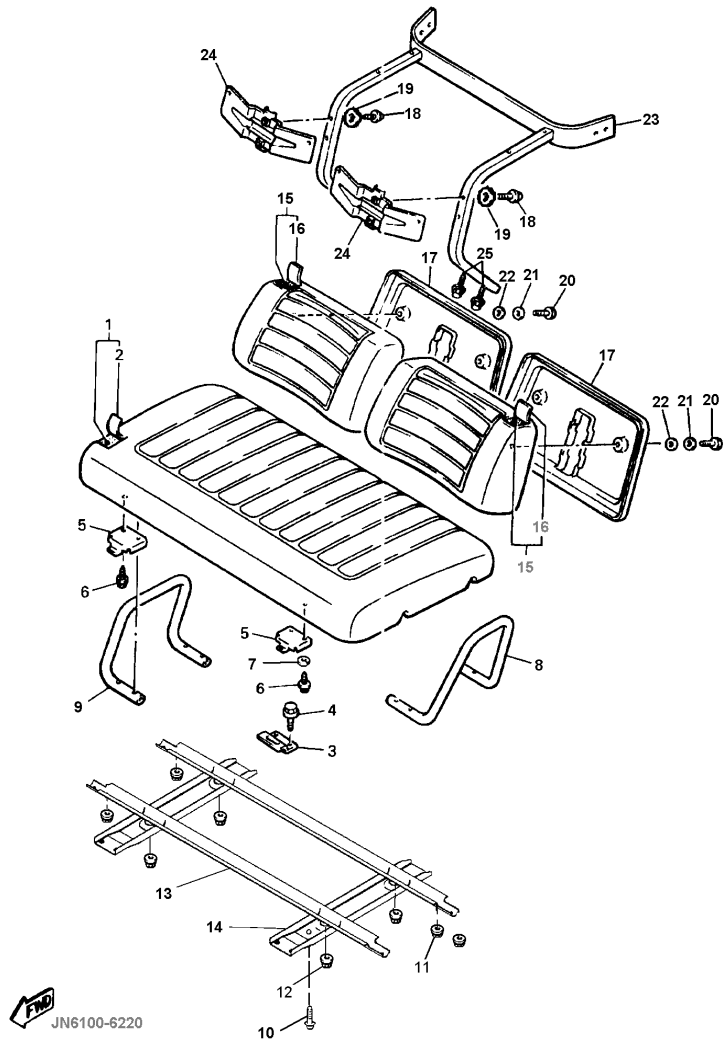
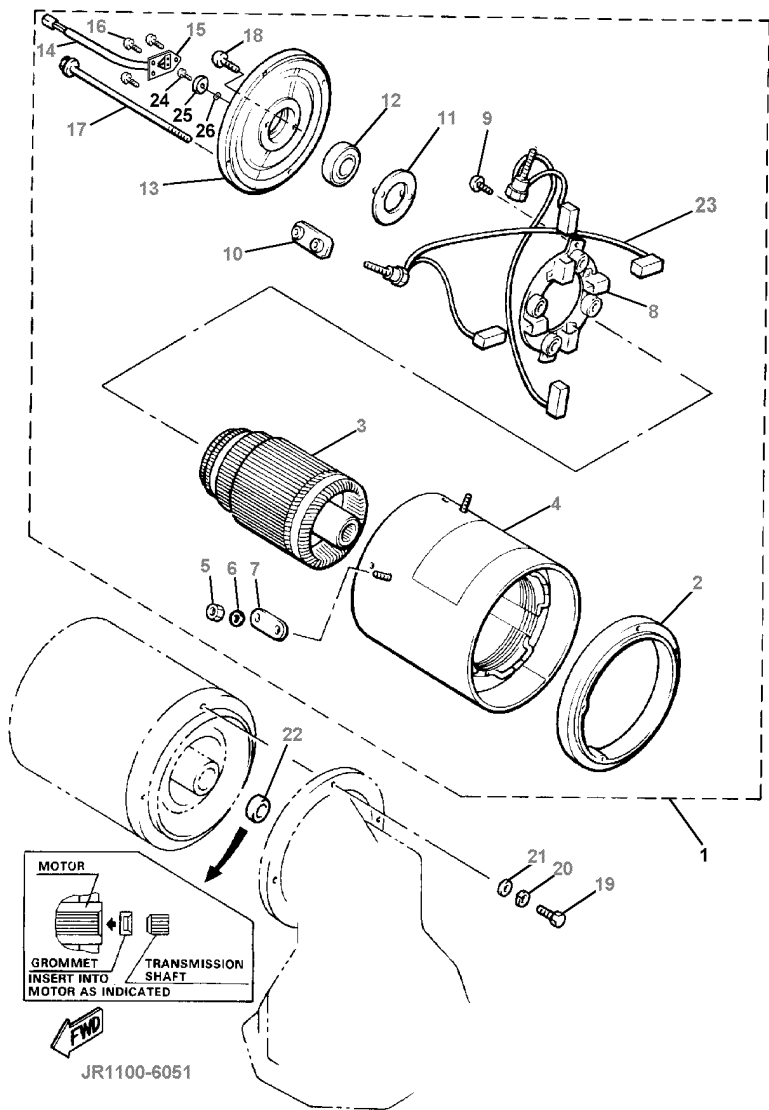


FIG. 16 SEAT

REF NO.	PART NUMBER	DESCRIPTION	QTY	REMARKS
22	90201-068G6-00	WASHER, PLAIN	4	
23	JN3-K8423-11-00	SUPPORT, SEAT BACK	1	
24	JN3-K842H-00-00	RETAINER, SEAT	2	
25	95817-08045-00	BOLT, FLANGE	4	

FIG. 17 ELECTRIC MOTOR



REF NO.	PART NUMBER	DESCRIPTION	QTY	REMARKS
1	JR1-H1890-00-00	MOTOR ASSY.	1	
2	JH7-H183J-00-00	.BRACKET, FRONT	1	
3	JR1-H1850-00-00	.ARMATURE ASSY	1	
4	JR1-H1160-00-00	.FIELD COIL ASSY	1	
5	JH7-H1872-00-00	.NUT, SPECIAL	4	
6	92990-08200-00	.WASHER, PLAIN	4	
7	JR1-H1843-00-00	.WASHER, 1	2	
8	JR1-H1840-00-00	.BRUSH HOLDER	1	
9	JG6-H1848-00-00	.SCREW, BRUSH HOLDER	2	
10	JG6-H1824-00-00	.WASHER 2	2	
11	JH7-H1856-00-00	.RETAINER	1	
12	J56-H1857-00-00	.BEARING	1	
13	JR1-H1822-00-00	.BRACKET, ELECTRIC	1	
14	JR1-H1670-00-00	.PICK-UP ASSY	1	
15	JR1-H1639-00-00	.COVER	1	
16	JR1-H1645-00-00	.SCREW 1	3	
17	JR1-H1828-00-00	.BOLT 2	4	
18	JH7-H1846-00-00	.SCREW	2	
19	90101-06857-00	BOLT	3	
20	90215-06811-00	WASHER, LOCK	3	
21	90201-068E2-00	WASHER, PLATE	3	
22	JH7-H1829-00-00	GROMMET	1	
23	JH7-H1801-00-00	.BRUSH SET	1	
24	JR1-H1826-00-00	BOLT	1	
25	JR1-H181K-00-00	MAGNET	1	
26	JR1-H812L-00-00	O-RING	1	

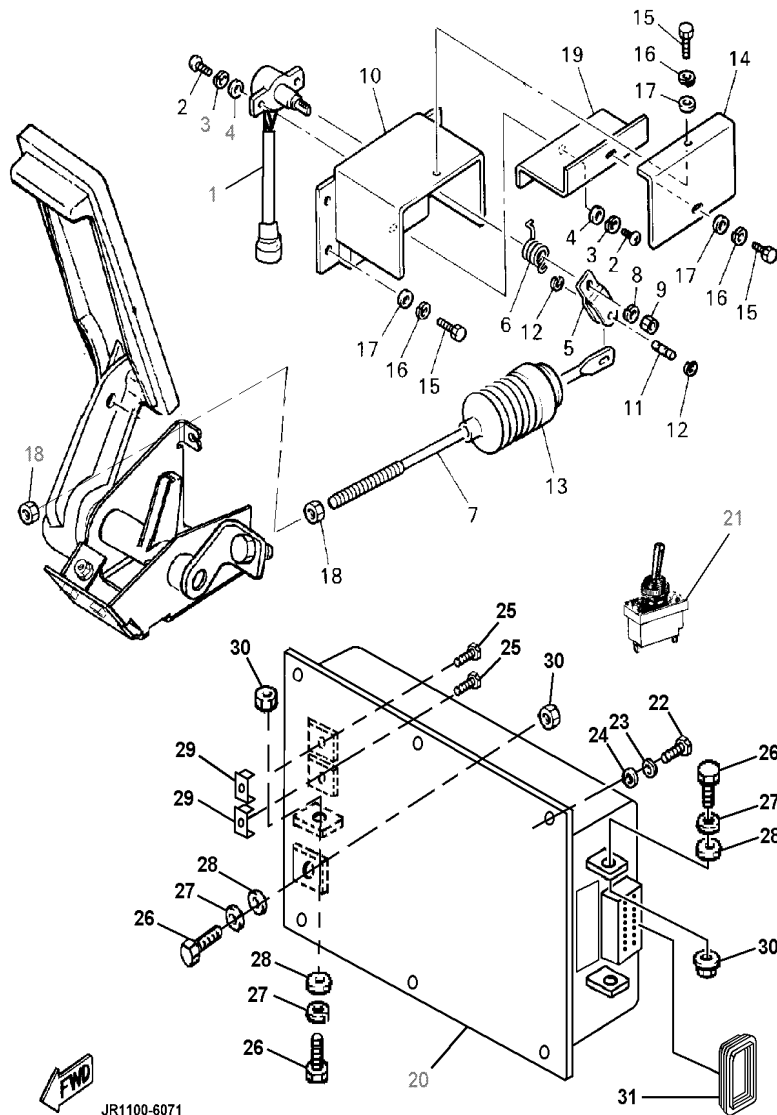
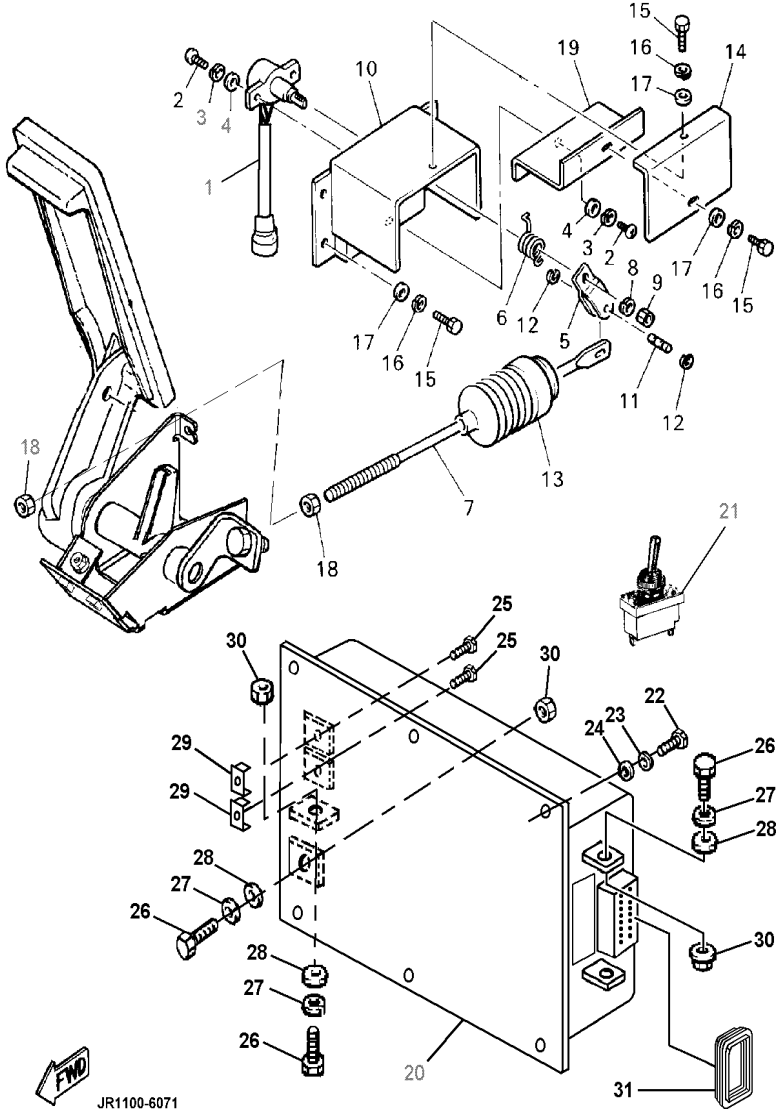


FIG. 18 CONTROLLER 1

REF NO.	PART NUMBER	DESCRIPTION	QTY	REMARKS
1	JR1-85885-00-00	THROTTLE SENSOR	1	
2	98507-05316-00	SCREW, PAN HEAD	3	
3	92907-05100-00	WASHER, LOCK	3	
4	92907-05600-00	WASHER	3	
5	JF3-2625H-00-00	ARM, THROTTLE	1	
6	JF3-27825-00-00	SPRING, RETURN	1	
7	JN4-F7241-00-00	ROD, JOINT	1	
8	92907-06100-00	WASHER, SPRING	1	
9	95307-06600-00	NUT, HEX.	1	
10	JF3-27981-00-00	BRACKET, THROTTLE	1	
11	JF3-27813-00-00	PIN, PEDAL CRANK	1	
12	99001-04600-00	CIRCLIP (E)	2	
13	JN4-F7486-00-00	COVER, 1	1	
14	JF3-27487-00-00	COVER, 2	1	
15	97017-05616-00	BOLT, HEX. HEAD	6	
16	92907-05100-00	WASHER, LOCK	6	
17	92907-05600-00	WASHER	6	
18	95307-08700-00	NUT, HEX.	2	
19	JF3-27445-00-00	PLATE 1	1	
20	JR1-H6510-10-00	CONTROL UNIT	1	
21	JR1-H2727-00-00	SWITCH, TOW / STORAGE	1	
22	97017-06020-00	BOLT	4	
23	92907-06100-00	WASHER, LOCK	4	
24	92907-06600-00	WASHER, PLATE	4	
25	90119-04824-00	BOLT, W/WASHER	2	
26	97017-08016-00	BOLT	4	
27	92907-08100-00	WASHER, LOCK	4	

FIG. 18 CONTROLLER 1



FMD
JR1100-6071

REF NO.	PART NUMBER	DESCRIPTION	QTY	REMARKS
28	92907-08600-00	WASHER, PLATE	4	
29	90183-04815-00	NUT, SPRING	2	
30	95707-08500-00	NUT, FLANGE	4	
31	JR1-H215D-00-00	SEAL MCU, CANNON PLUG	1	

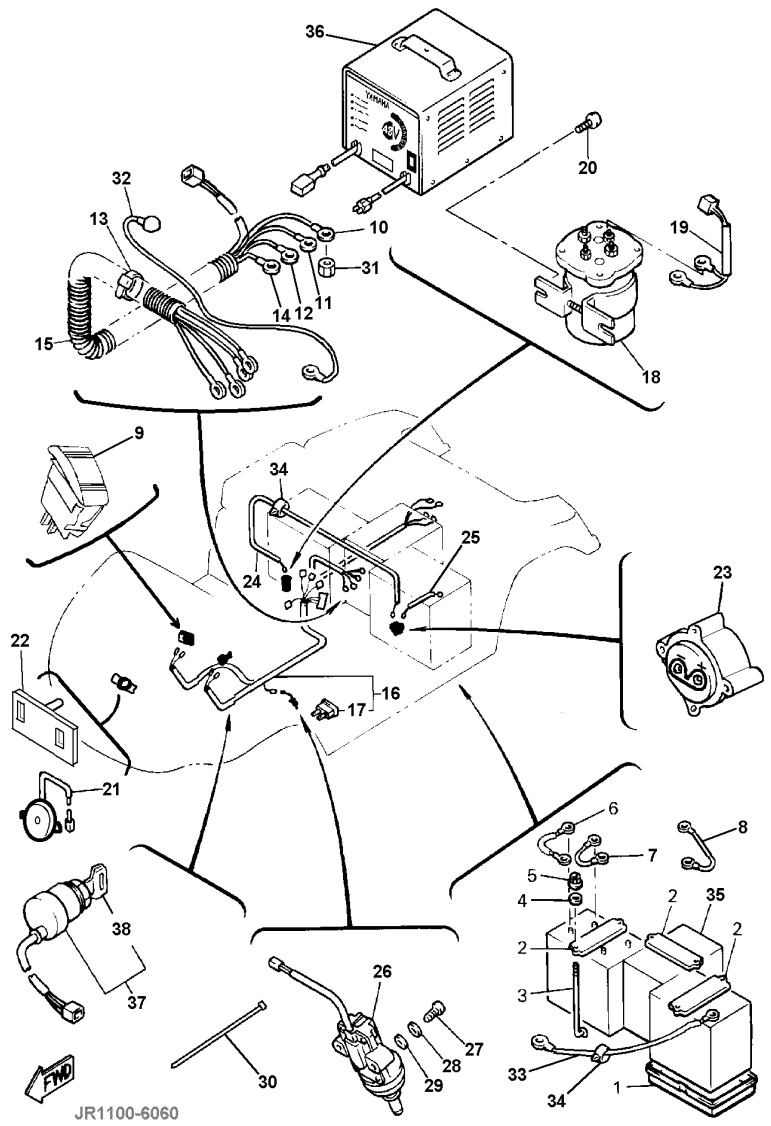
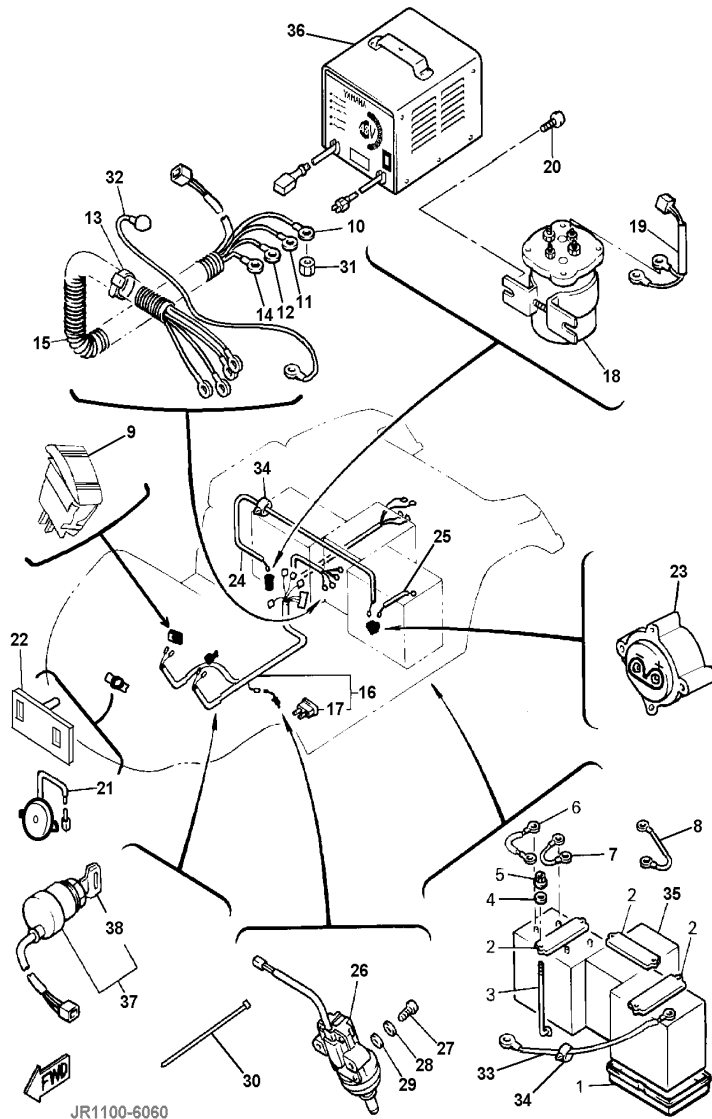


FIG. 19 ELECTRICAL 1

REF NO.	PART NUMBER	DESCRIPTION	QTY	REMARKS
1	J56-H2123-00-00	SEAT, BATTERY	3	
2	JF3-H2136-00-00	PLATE, BATTERY	3	
3	JN4-H2133-00-00	SCREW, FITTING	6	
4	90201-065G8-00	WASHER, PLAIN	6	
5	95707-06500-00	NUT, FLANGE	6	
6	JN8-H2115-00-00	WIRE, PLUS LEAD	1	
7	JR1-H2127-01-00	WIRE, LEAD 2	3	
8	JR1-H2149-01-00	WIRE, LEAD 3	2	
9	JR1-H2917-01-00	SWITCH, F/R CONTROL	1	
10	JR1-H2521-00-00	WIRE, LEAD	1	
11	JR1-H2531-00-00	WIRE, LEAD	1	
12	JR1-H6171-00-00	WIRE, LEAD 1	1	
13	90465-13152-00	CLAMP	3	
14	JR1-H6172-00-00	WIRE, LEAD 2	1	
15	JR1-H7196-00-00	TUBE, 1	1	
16	JR1-H2590-00-00	WIRE HARNESS	1	
17	JR1-H2151-00-00	.FUSE	1	(3A-BL)
18	JR1-H1950-00-00	RELAY ASSY.	1	
19	JN6-H2105-00-00	HARNESS,WIRE	1	
20	90163-06005-00	SCREW, HEX.	2	
21	JR1-H3383-01-00	BUZZER	1	
22	JN6-H3386-00-00	STAY, BUZZER	1	
23	JR1-H6181-02-00	RECEPTACLE	1	
24	JR1-H1215-00-00	WIRE, LEAD 1	1	
25	JR1-H1216-00-00	WIRE, LEAD 2	1	
26	JF7-82817-20-00	SWITCH, ACCELERATOR STOP	1	
27	98507-05025-00	SCREW, PAN HEAD	2	

FIG. 19 ELECTRICAL 1



REF NO.	PART NUMBER	DESCRIPTION	QTY	REMARKS
28	92907-05100-00	WASHER, LOCK	2	
29	92907-05600-00	WASHER, PLATE	2	
30	90464-13827-00	CLAMP	4	
31	JG6-H1872-00-00	NUT, SPECIAL	4	
32	JR1-H6527-00-00	WIRE, 7	1	
33	JR1-H6521-00-00	WIRE, 1	1	
34	90464-25826-00	CLAMP	3	
35	*	BATTERY ASSY	6	DOMESTIC MARKET: * USE LOCAL MFR.
	JR1-H2110-00-00	BATTERY ASSY	6	FOR EXPORT MARKET
36	MAC-SCR48-17-17	CHARGER, BATTERY	1	120V
	MAC-SCR48-17-37	CHARGER, BATTERY	1	220-240V
37	JR1-82510-01-00	SWITCH, MAIN	1	
38	J44-82511-00-00	.KEY, MAIN SWITCH	1	

FIG. 20 BATTERY CHARGER

REF NO.	PART NUMBER	DESCRIPTION	QTY	REMARKS	MAC NUMBER
	MAC-SCR48-17-17	CHARGER (JR1-H2107-02)	1	120V	SCR481717
	MAC-SCR48-17-37	CHARGER (JR1-H2107-12)	1	220-240V	SCR481737
	MAC-WP141-06-20	CASE COVER	1		WP14106-2
	MAC-WP140-81-00	CASE MAIN	1	120V	WP14081
	MAC-WP140-81-10	CASE MAIN	1	220-240V	WP14081-1
	MAC-M1406-10-00	CIRCUIT BREAKER, 15A AC	1		M14061
	MAC-M3660-00-00	AC STRAIN RELIEF	1		M366
	MAC-M6680-00-00	DC STRAIN RELIEF	1		M6680
	MAC-0480S-1F-17	CONTROL CIRCUIT	1		CNM0480S1F17
	MAC-11438-10-00	AC CORD ASSY	1	120V	WP11438-1
	MAC-WP142-11-50	AC CORD ASSY	1	220-240V	WP14211-5
	MAC-CDC10-23-00	DC CORD ASSY	1		CDC1023
	MAC-WP130-70-10	DC FUSE ASSY	1		WP13070-1
	MAC-M1351-60-00	.DC FUSE COVER	1		M13516
	MAC-M1290-60-00	.DC FUSE LINK	2		M12906
	MAC-M1409-80-00	DC PLUG SET	1		M14098
	MAC-CHT00-64-00	RECTIFIER ASSY	2	120V: S/N ~97365922 220-240V: S/N ~97333972	CHT0064R
	MAC-CHT00-73-R0	RECTIFIER ASSY	2	120V: S/N 97365923~ 220-240v: S/N 97333973~	CHT0073R
	MAC-M1406-50-00	RELAY	1		M14065
	MAC-WP139-76-00	RESISTOR ASSY	1	220-240V	WP13976
	MAC-M3998-00-00	RECTIFIER, SCR	1		M3998
	MAC-M1304-90-00	SWITCH, AC VOLTAGE	1	220-240V	M13049
	MAC-TX141-10-V0	POWER TRANSFORMER	1	U.S. 120V	TX14110V
	MAC-TX141-70-V0	POWER TRANSFORMER	1	220-240V	TX14170V
	MAC-WP122-36-50	VARISTOR ASSY	1	U.S. 120V	WP12236-5
	MAC-WP140-18-40	VARISTOR ASSY	1	130/220-240V	WP14018-4

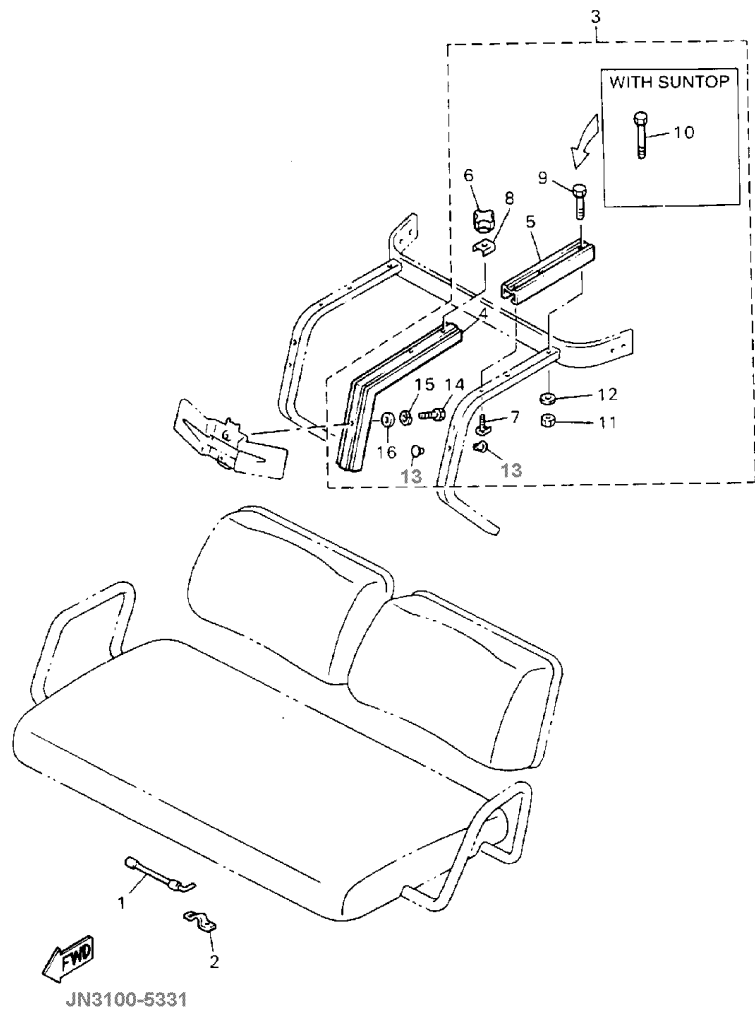


FIG. 21 OPTIONAL SEAT ADJUSTER

REF NO.	PART NUMBER	DESCRIPTION	QTY	REMARKS
1	JN3-K8421-00-00	SUPPORT, SEAT	1	
2	JF2-K8422-00-00	BRACKET, SEAT SUPPORT	1	
3	JN3-K8450-10-00	SEAT ADJUSTER ASSY	1	
4	JN3-K845A-00-00	.MEMBER, SLIDE SEAT	1	
5	JN3-K8451-10-00	.FRAME, SLIDE SEAT	1	
6	JN3-K8452-00-00	.SEAT-ADJUSTER	1	
7	JN3-K8459-00-00	.REINFORCEMENT, 1	1	
8	JN3-K845E-00-00	.REINFORCEMENT, 2	1	
9	97080-08045-00	.BOLT, HEXAGON	2	
10	97080-08070-00	.BOLT, HEXAGON	2	
11	95680-08100-00	.NUT, U	2	
12	92990-08200-00	.WASHER, PLAIN	2	
13	90338-09828-00	.PLUG	4	
14	97080-08020-00	.BOLT, HEX. HEAD	2	
15	92990-08100-00	.WASHER, SPRING	2	
16	92990-08600-00	.WASHER, PLATE	2	

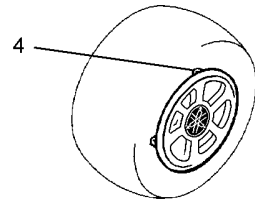
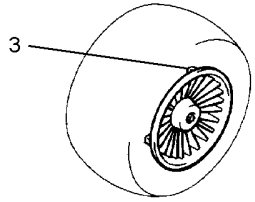
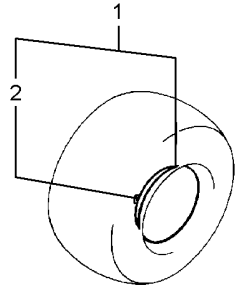


FIG. 22 OPTIONAL HUB CAPS

REF NO.	PART NUMBER	DESCRIPTION	QTY	REMARKS
1	JG5-F512L-00-00	HUB-CAP, PLAIN	4	Comes with clips
2	JG5-F512N-00-00	.CLIP, HUB CAP	3	
3	JG5-F512M-00-00	HUB-CAP, MAG-STYLE	4	Comes with clips
4	JG5-HUBCP-TF-00	HUB-CAP, TUNING FORK LOGO	4	

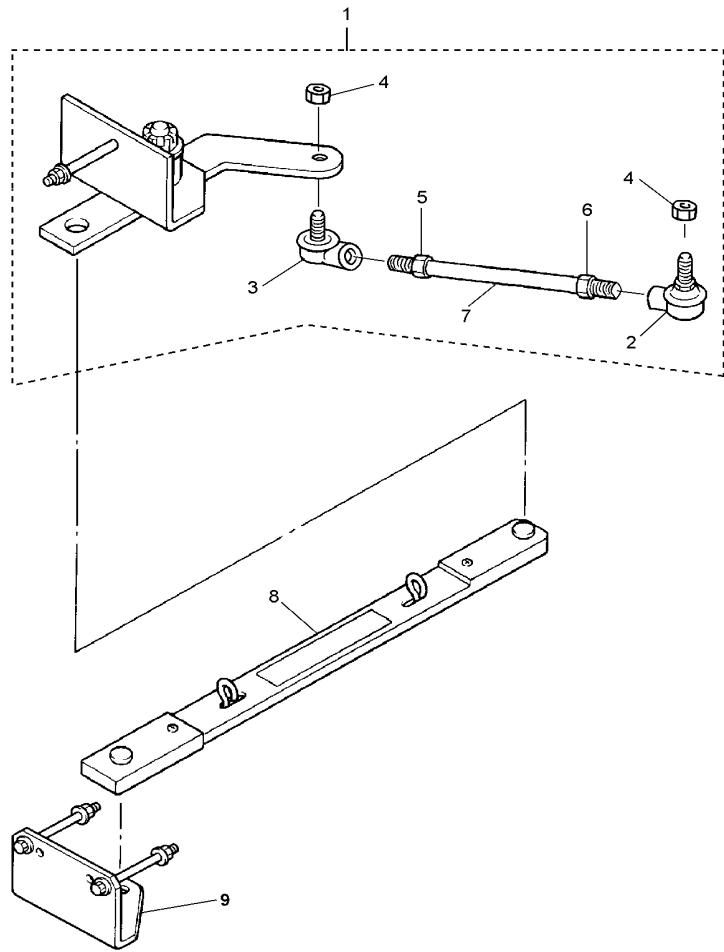
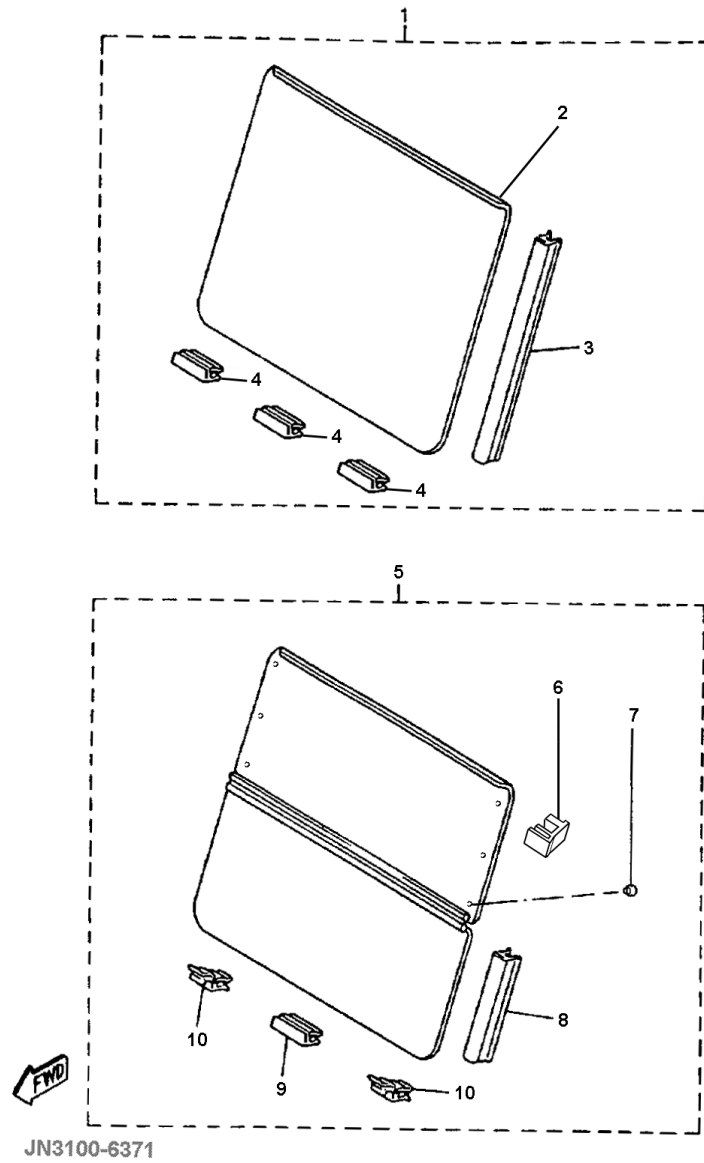


FIG. 23 OPTIONAL DRAW BAR

REF NO.	PART NUMBER	DESCRIPTION	QTY	REMARKS
1	JG5-F389K-01-00	ARM, PIVOT ASSY.	1	
2	JN6-F3841-00-00	UNIVERSAL JOINT (RH)	1	
3	JN6-F3845-00-00	UNIVERSAL JOINT (LH)	1	
4	95607-10200-00	NUT, U-FLANGE	2	
5	90170-12054-00	NUT (RH THREAD)	1	
6	95317-12700-00	NUT (LH THREAD)	1	
7	JN3-F3880-00-00	TIE ROD	1	
8	JG5-F389J-00-00	DRAW BAR ASSY.	1	
9	JN3-F3802-00-00	REAR HITCH ASSY.	1	

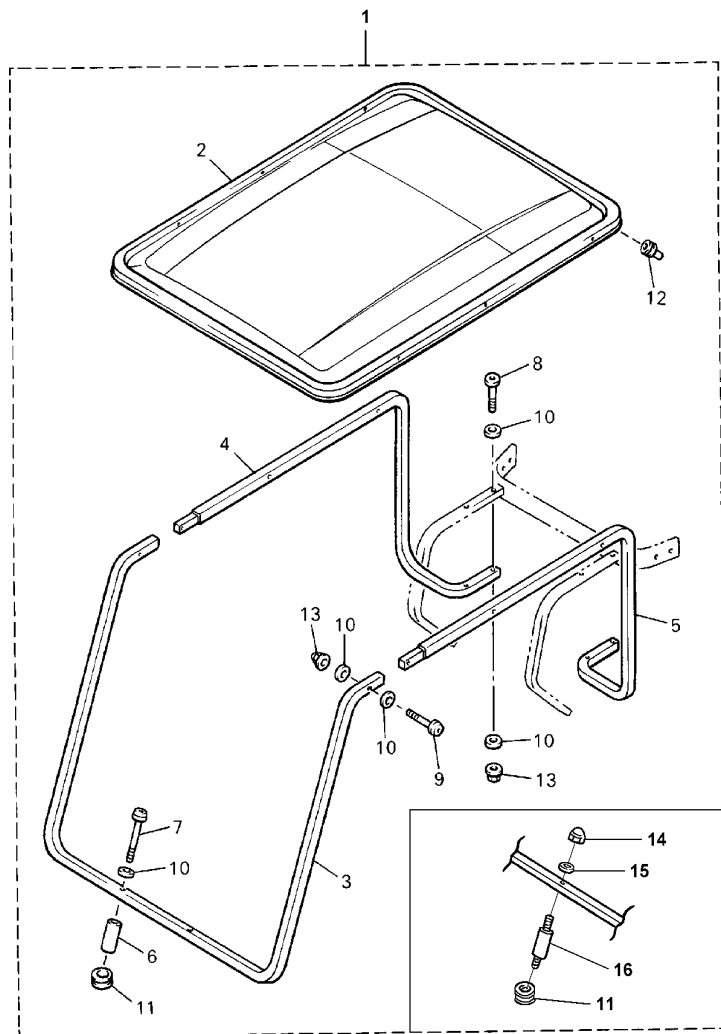
 JN6100-6271

FIG. 24 OPTIONAL WINDSHIELD



REF NO.	PART NUMBER	DESCRIPTION	QTY	REMARKS
1	JN3-K7200-00-00	WINDSHIELD ASSY. (ONE PIECE, CLEAR)	1	UR, AP
	JN3-K7200-10-00	WINDSHIELD ASSY. (ONE PIECE, TINTED)	1	UR, AP
2	JN3-K7211-01-00	.WINDSHIELD (ONE PIECE, CLEAR)	1	UR
	JN3-K7211-11-00	.WINDSHIELD (ONE PIECE, TINTED)	1	UR
3	JN3-K838C-00-00	.HOLDER SHIELD	2	
4	JN3-K722A-01-00	.FASTENER, 2	3	
5	JN3-K7200-20-00	WINDSHIELD ASSY. (HINGED, CLEAR)	1	UR, AP
	JN3-K7200-30-00	WINDSHIELD ASSY. (HINGED, TINTED)	1	UR, AP
6	ACC-CCGLU-ES-ET	LATCH, RUBBER	2	SEE NOTE "A"
7	JN3-K7238-00-00	..DAMPER, WINDSHIELD	6	
8	JN3-K838A-00-00	.RETAINER 1	2	
9	JN3-K722A-01-00	.FASTENER 2	1	
10	JN3-K7222-00-00	.BRACKET, W/S	2	

NOTE "A": Includes adhesive. Replaces old style latch for hinged windshields.



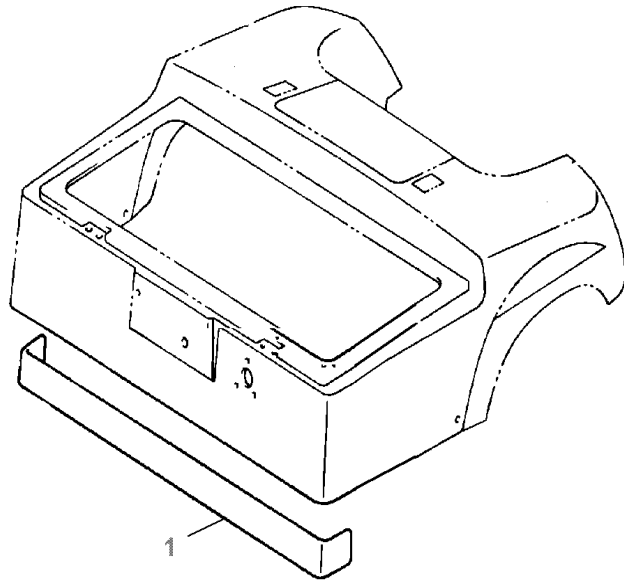
 JN3100-5371

FIG. 25 OPTIONAL SUN ROOF

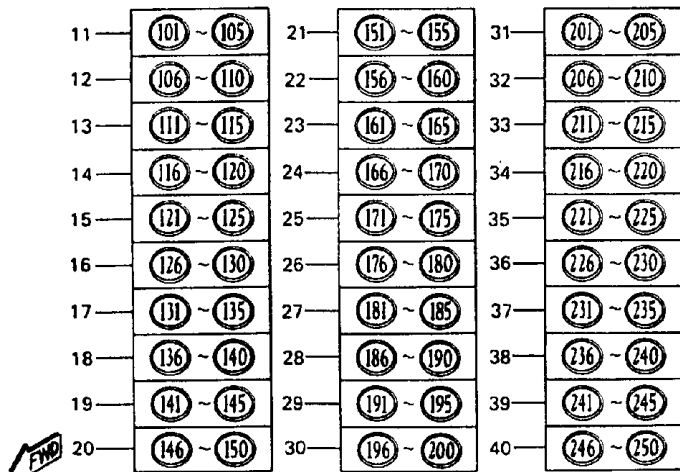
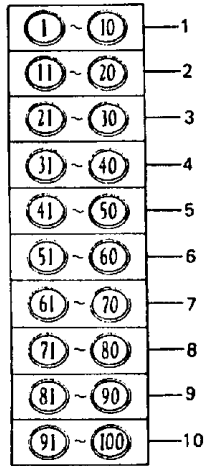
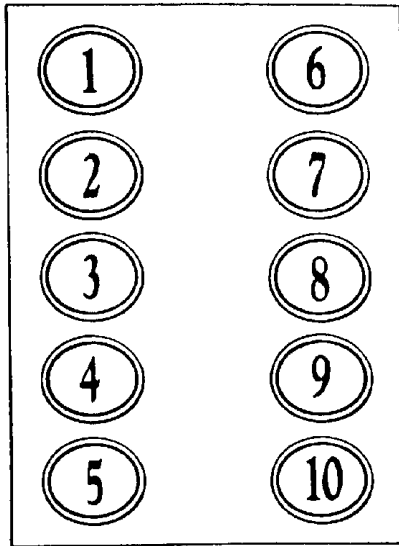
REF NO.	PART NUMBER	DESCRIPTION	QTY	REMARKS
1	JN3-K8310-10-00	SUN ROOF ASSY	1	
2	JN3-K8314-00-00	.COVER, SUNROOF	1	
3	JN3-K8312-00-00	.SUPPORT, ROOF 1	1	
4	JN3-K831A-00-00	.SUPPORT, ROOF 3	1	
5	JN3-K8313-00-00	.SUPPORT, ROOF 2	1	
6	90387-09826-00	.COLLAR	2	F# ~JR1-306500
7	90101-08862-00	.BOLT, HEX.	2	F# ~JR1-306500
8	90101-22864-00	.BOLT, HEX.	4	
9	90101-22863-00	.BOLT, HEX.	6	
10	90201-088E5-00	.WASHER, PLAIN	22	
11	JN3-K832F-00-00	.GROMMET, ROOF	2	
12	JN3-K832G-00-00	.GROMMET, ROOF	2	
13	90185-12835-00	.NUT, SELF-LOCKING	10	
14	90176-08801-00	.NUT, CAP	2	F# JR1-400101~
15	90201-098J4-00	.WASHER, PLAIN	2	F# JR1-400101~
16	JN6-K834A-00-00	.REINF., HOLDER	2	F# JR1-400101~

FIG. 26 OPTIONAL ORNAMENT

REF NO.	PART NUMBER	DESCRIPTION	QTY	REMARKS
1	JN3-K814N-00-00	PLATE, ORNAMENT	1	



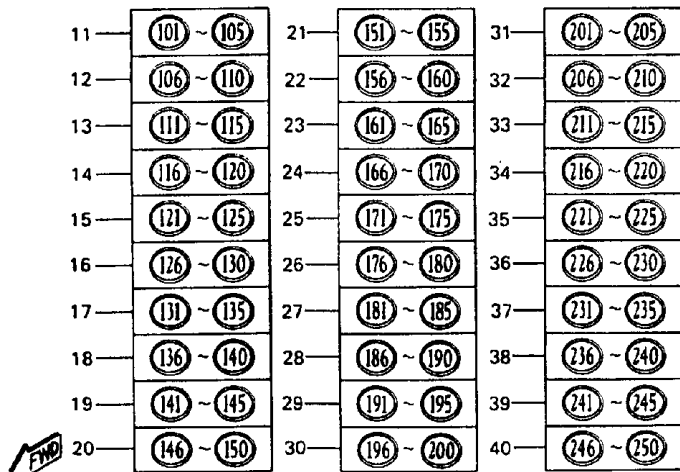
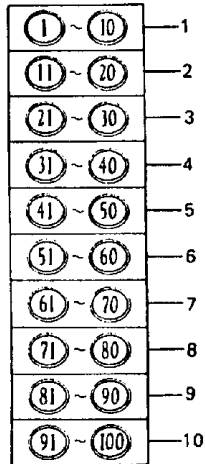
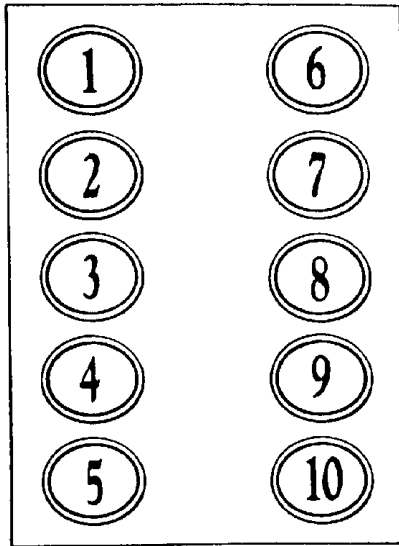
 JN6100-6291



JN3100-6400

FIG. 27 OPTIONAL FLEET NUMBERS

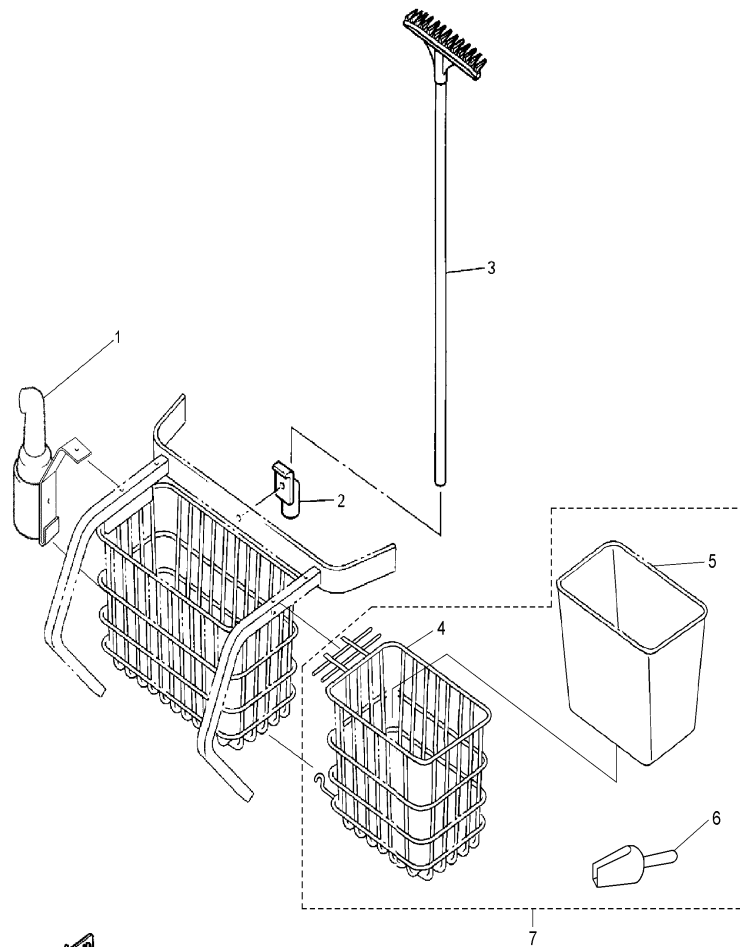
REF NO.	PART NUMBER	DESCRIPTION	QTY	REMARKS
1	JG5-K810T-10-00	FLEET, NUMBER	1	AR
2	JG5-K810T-20-00	FLEET, NUMBER	1	AR
3	JG5-K810T-30-00	FLEET, NUMBER	1	AR
4	JG5-K810T-40-00	FLEET, NUMBER	1	AR
5	JG5-K810T-50-00	FLEET, NUMBER	1	AR
6	JG5-K810T-60-00	FLEET, NUMBER	1	AR
7	JG5-K810T-70-00	FLEET, NUMBER	1	AR
8	JG5-K810T-80-00	FLEET, NUMBER	1	AR
9	JG5-K810T-90-00	FLEET, NUMBER	1	AR
10	JG5-K810T-00-00	FLEET, NUMBER	1	AR
11	JG5-K810U-A0-00	FLEET, NUMBER	1	AR
12	JG5-K810U-10-00	FLEET, NUMBER	1	AR
13	JG5-K810U-E0-00	FLEET, NUMBER	1	AR
14	JG5-K810U-20-00	FLEET, NUMBER	1	AR
15	JG5-K810U-F0-00	FLEET, NUMBER	1	AR
16	JG5-K810U-30-00	FLEET, NUMBER	1	AR
17	JG5-K810U-G0-00	FLEET, NUMBER	1	AR
18	JG5-K810U-40-00	FLEET, NUMBER	1	AR
19	JG5-K810U-H0-00	FLEET, NUMBER	1	AR
20	JG5-K810U-50-00	FLEET, NUMBER	1	AR
21	JG5-K810U-J0-00	FLEET, NUMBER	1	AR
22	JG5-K810U-60-00	FLEET, NUMBER	1	AR
23	JG5-K810U-K0-00	FLEET, NUMBER	1	AR
24	JG5-K810U-70-00	FLEET, NUMBER	1	AR
25	JG5-K810U-L0-00	FLEET, NUMBER	1	AR
26	JG5-K810U-80-00	FLEET, NUMBER	1	AR
27	JG5-K810U-M0-00	FLEET, NUMBER	1	AR



JN3100-6400

FIG. 27 OPTIONAL FLEET NUMBERS

REF NO.	PART NUMBER	DESCRIPTION	QTY	REMARKS
28	JG5-K810U-90-00	FLEET, NUMBER	1	AR
29	JG5-K810U-N0-00	FLEET, NUMBER	1	AR
30	JG5-K810U-00-00	FLEET, NUMBER	1	AR
31	JG5-K810V-A0-00	FLEET, NUMBER	1	AR
32	JG5-K810V-10-00	FLEET, NUMBER	1	AR
33	JG5-K810V-E0-00	FLEET, NUMBER	1	AR
34	JG5-K810V-20-00	FLEET, NUMBER	1	AR
35	JG5-K810V-F0-00	FLEET, NUMBER	1	AR
36	JG5-K810V-30-00	FLEET, NUMBER	1	AR
37	JG5-K810V-G0-00	FLEET, NUMBER	1	AR
38	JG5-K810V-40-00	FLEET, NUMBER	1	AR
39	JG5-K810V-H0-00	FLEET, NUMBER	1	AR
40	JG5-K810V-50-00	FLEET, NUMBER	1	AR



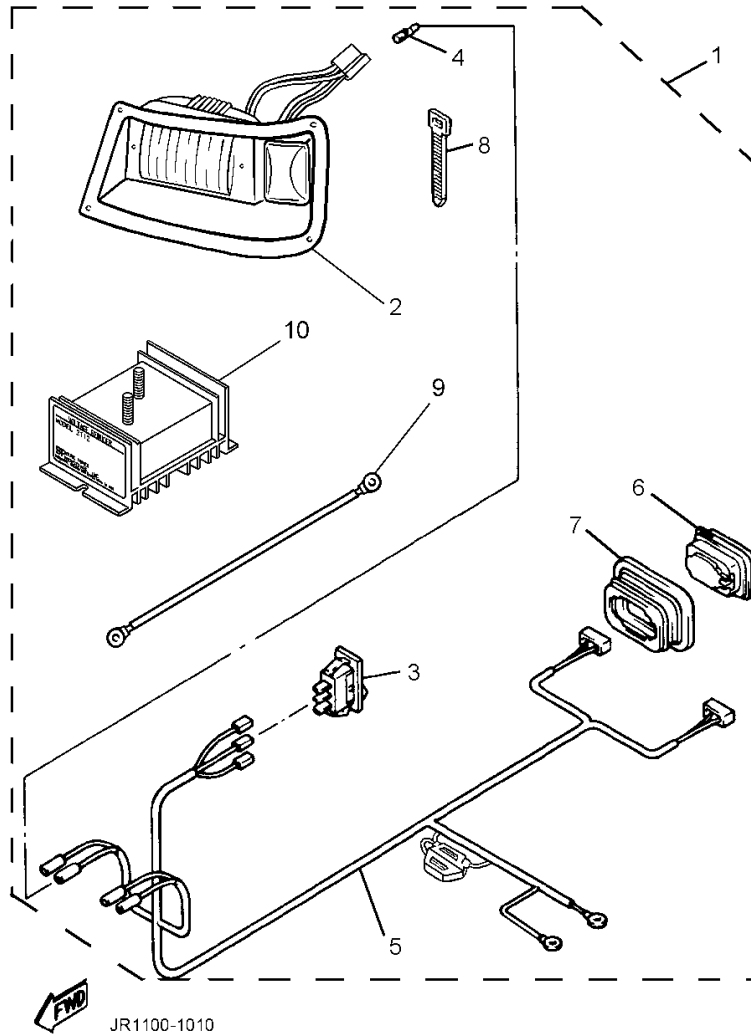
 JN3100-5401

FIG. 28 OPTIONAL SAND BOTTLE / RAKE

REF NO.	PART NUMBER	DESCRIPTION	QTY	REMARKS
1	JN3-K8309-00-00	SAND BOTTLE ASSY.	1	
	JN3-K839E-00-00	.SAND BOTTLE	1	
	JN3-K839G-00-00	.HOLDER, SAND BOTTLE	1	
	JN3-K839H-00-00	.BRACKET, SAND BOTTLE	1	
	JN3-K839J-00-00	.SLEEVE	1	
	95027-06016-00	.BOLT, SMALL FLANGE	3	
	90201-088E5-00	.WASHER, PLATE	1	
	95607-06200-00	.NUT, SELF LOCK	3	
2	JG5-K834G-00-00	HOLDER, RAKE	1	
3	JG5-K834H-00-00	RAKE, SAND 1	1	
4	JN6-SIDEB-AS-KT	SIDE BASKET	1	
5	JN6-SANDB-UC-KT	SAND BUCKET	1	
6	JN6-SANDS-CO-OP	SAND SCOOP	1	
7	JN6-SANDB-KK-IT	SAND BUCKET KIT	1	SEE NOTE "A"

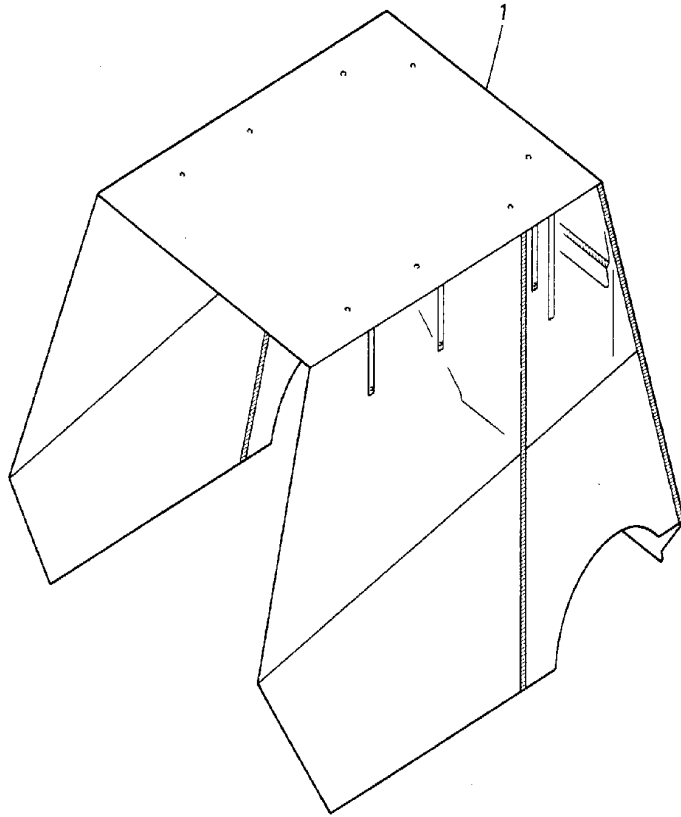
NOTE "A" : Includes 4, 5, 6

FIG. 29 OPTIONAL LIGHT KIT



REF NO.	PART NUMBER	DESCRIPTION	QTY	REMARKS
1	JR1-H430A-20-00	LIGHT KIT ASSY.	1	
2	JN3-H4303-20-00	.HEAD LIGHT UNIT ASSY.	1	INCLUDES RH & LH HEADLIGHTS
3	JN3-H3976-20-00	.SWITCH	1	
4	9E212-10401-00	.TERMINAL WIRE	2	
5	JN6-H4159-00-00	.CORD, HEAD LIGHT	1	
6	JN3-H4700-00-00	.TAIL LIGHT ASSY	2	
7	JN3-H4718-00-00	.GROMMET, TAIL	2	
8	90464-14806-00	.CLAMP	20	
9	JR1-H4149-00-00	WIRE LEAD 2	1	
10	JR1-H1910-00-00	VOLTAGE REGULATOR	1	

FIG. 30 OPTIONAL ENCLOSURE



REF NO.	PART NUMBER	DESCRIPTION	QTY	REMARKS
1	JN3-K832U-00-00	ENCLOSURE	1	

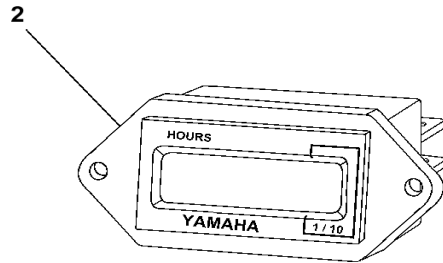
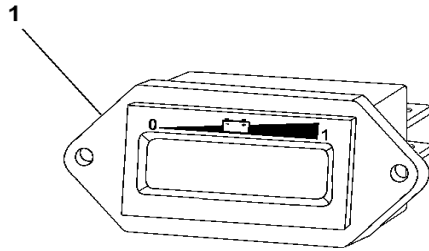


JN3100-6440

FIG. 31 OPTIONAL ENERGY / HOUR GAUGES

REF NO.	PART NUMBER	DESCRIPTION	QTY	REMARKS
1	JR1-H351C-10-00	BATTERY ENERGY GAUGE	1	SEE NOTE "A"
2	JN6-H351C-00-00	HOUR GAUGE	1	SEE NOTE "A"

NOTE "A": Includes mounting screws and terminal connectors.



JN8100-1010